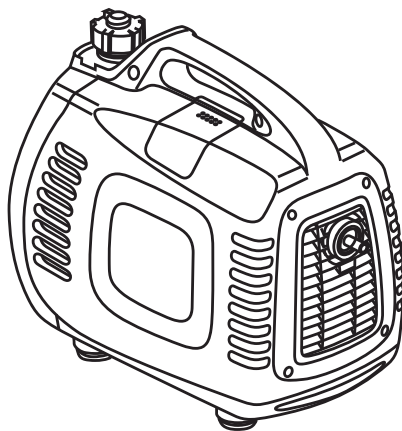




***INVERTER* Generator**

PMi 2000



User's manual

Please read the manual carefully before using the generator.
This guide contains important guidance for safe operation.

***INVERTER* Generator - PMi 2000**

Preface

Thank you for buying INVERTER Generator.

This book includes the operation and maintenance instructions for the **PMi 2000**. All the contents of this book are consistent with the print of the latest product. The Company retains its right to amend this guide, thus will not notify later or bear any responsibility.

No duplicator is permitted without written permission.

As one permanent part of the generator, the guide will be kept with the generator when the machine is transferred.

Please pay special attention to the following words:

Warning This sign indicates that if you do not operate according to the guide, serious accidents involving casualties can be caused.

Look Out This sign indicates that if casualty is caused or the equipment is damaged by incorrect operation, you can contact your reseller if you have any questions about the generator.

Note: Give useful information.

If there is any failure of the generator, or if you have any questions about it, please consult your reseller.

Warning As long as you operate according to the guide, the **PMi 2000** generator will be safe and reliable. Please read and understand the guide without fail before you use it, or else casualties or damage of the equipment will be caused by incorrect operation.

Different types of generators may have some differences in their guides.

***INVERTER* Generator - PMi 2000**

Catalogue

1. Safety matters
2. Label position of safety matters
3. Components identifier
4. Check before operation
5. Start the engine (operation at high altitudes)
6. Usage
7. Turn off the engine maintenance
8. Transport/storage
9. Examine and repair the breakdown
10. Technical specification
11. Wiring diagram

***INVERTER* Generator - PMi 2000**

1. Safety Matters

To ensure safe operation matters

Warning

- If you operate the PMi 2000 generator according to the guide, the generator will run safely. Please read and understand the guide without fail before you use it, or else casualties or damage of the equipment will be caused by incorrect operation.

Warning

- The exhaust contains toxic CO. Do not run the generator in dead-air space. Make sure to provide enough air.

Warning

- The gasoline is very easy to burn or explode under specific conditions. Turn off the engine before filling.
- When filling the engine, keep away from cigarettes or spark. Please fill in a draught.
- Clean the overflowed gasoline immediately.

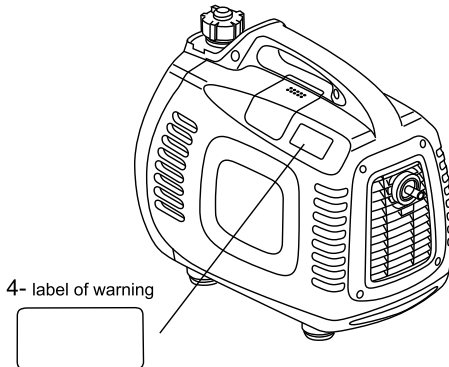
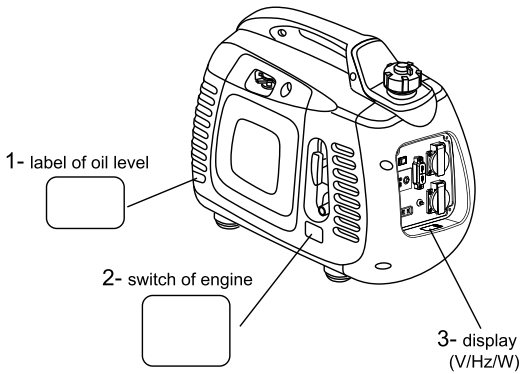
Warning

- Each time before you start the engine, you must do check it first, avoiding accidents or damage of the equipment.
- The generator must be run at a place at least one meter away from the buildings or other equipments.
- The generator must be run on a horizontal surface. If it leans, the gasoline would spill out.
- You must master the knowledge of how to turn off the generator quickly, and know all the operations of controlling the components. Do never operate the engine without correct instructions.
- Children and pets must be kept away from the operating area.
- When the engine is running, everyone must keep away from the circumvolving parts.
- The generator is a latent danger if it is incorrectly operated, so do not operate it by hand.
- Do not operate the generator in the rain or in the snow, preventing wetting it.

INVERTER Generator - PMi 2000

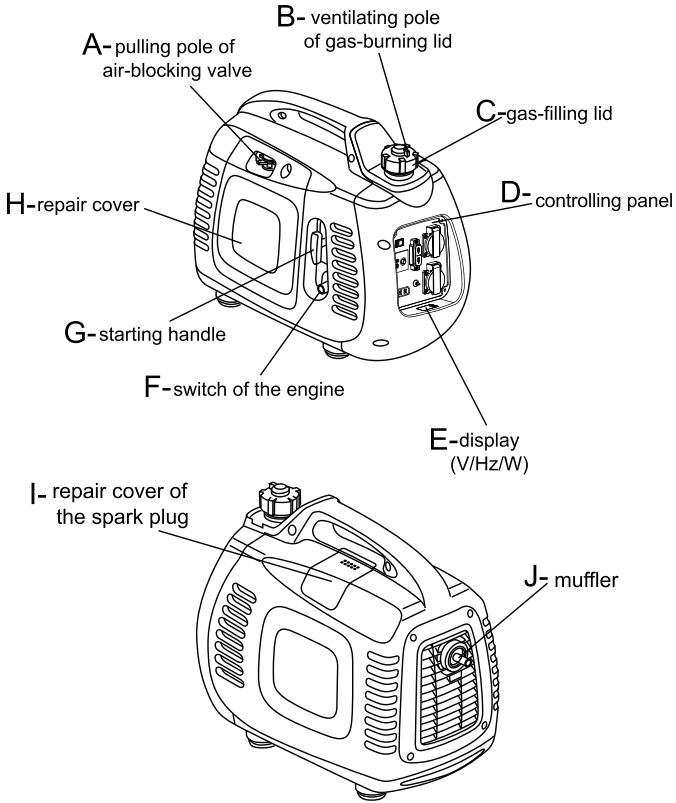
2. Label position of safety matters

These labels warn you of those latent dangers that will possibly cause serious accidents involving casualties. Please read carefully the words on the labels, the safety warnings and the notes recounted in the guide. If the labels have fallen off or are illegible, please contact the Powermate by Pramac agent and change them.



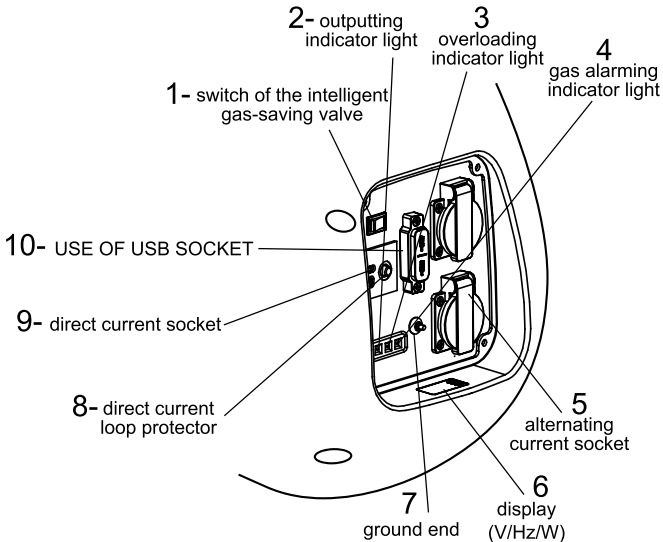
INVERTER Generator - PMi 2000

3. Components identifier



INVERTER Generator - PMi 2000

Controlling panel:



Attention:

Tip: We have a smart display: when the machine is running it the state of voltage, frequency, and power used by the machine. It can be useful to avoid overloading when using the machine.

Intelligent gasoline-saving valve:

When the engine is disconnected from the electrical equipment, the velocity of the generator will slow down automatically. When the equipment is connected, the electric charge will make the generator return to a proper rotate speed. This installation is used to reduce the gasoline consumption during the running process.

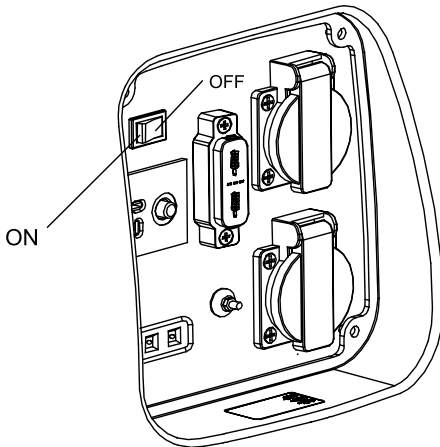
***INVERTER* Generator - PMi 2000**

Warning

- When the electrical equipment needs disconnecting from the electric power, the intelligent gasoline-saving system can not run effectively.
- When the generator is connected with a high electric charge, turn off the intelligent gasoline-saving valve to minimize the change of middle pressure.
- When using the DC output, please turn off the intelligent gasoline-saving valve.

Close:

It means the intelligent gasoline-saving system is closed, and the rotate speed of the generator is kept on a level higher than the standard rotate speed.



INVERTER Generator - PMi 2000

4. Check before operation

Warning

- Check the generator, keep it on a horizontal surface without fail, and ensure that the engine is turned off.

1. Check the oil level

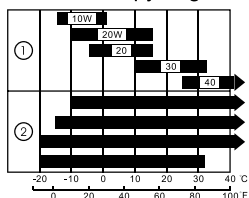
Warning

- Using oil without cleanser or 2-strokes engine's oil may shorten the generator's service life.

Please use oil containing high quantity of cleanser or use high quality 4-strokes engine's oil. The quality level must answer for or exceed the SG/SF level which is required by the American manufacturer and lay down by American Petroleum Institute.

Please choose the engine oil with proper ropy degree based on the average temperature of the area you live in.

Rank of SAE ropy degree SAE



① 1 mono-ropy degree

② 2 multi-ropy degree

Environmental temperature

Dismantle the machine oil ruler, rub up it with clean duster cloth, and stick it into the oil-filling mouth to check the oil level. Pay attention not to drop the ruler into it.

If the machine oil level is below the bottom of the machine oil ruler, fill the recommended machine oil into the gasoline-filling mouth.

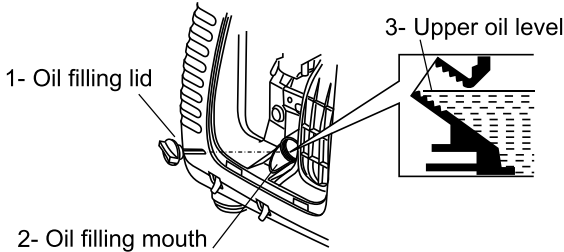
Warning

- If the engine runs when oil is in shortage, it can be seriously damaged.

INVERTER Generator - PMi 2000

Note:

The oil alarming system will turn off the engine before the oil level descends to the security line. But to avoid the inconvenience caused by unexpected machine halt, we advise you to check the oil level regularly.



2. Check the gasoline level:

Please use gasoline for cars. (It's better to use no lead gasoline or having low content of lead, in order to reduce the accumulation of charcoal in the burning room.)

If the gasoline level is too low, please add gasoline into the gasoline tank until it reaches the required level.

Do never use the mixture of machine oil and gasoline or uncleaned gasoline.

Prevent filth, dust, or water entering the gasoline tank.

Screw down the gasoline-filling lid after filling the gasoline.

Warning

- The gasoline is very easy to burn or explode under specific conditions.
- Please fill the generator in a draught, and turn off the engine before filing. It is strictly forbidden to smoke close to the gasoline-filling and gasoline-storing parts of the generator.
- The gasoline must not be spilled out of the gasoline tank (the gasoline-filling mouth should not have any gasoline). Screw down the gasoline-filling lid after filling the gasoline.
 - Be careful not to let the gasoline spill out when filling the generator. The gasoline overflowed or mist may take fire. Once there is some oil spilling out, make sure that the oil-spilled area is dried before starting the engine.
 - Avoid exposing your skin to the gasoline in a long time or repeatedly. Do not let children have contact with it.

INVERTER Generator - PMi 2000

The gasoline containing alcohol

If you decide to use the gasoline containing alcohol (bioethanol), its octane value can not below the level recommended by manufacturer. There are two kinds of alcoholic gasoline: one contains ethanol, and the other contains methanol. Do not use the kind of alcoholic gasoline that contains more than **10% ethanol**. Do not use the alcoholic gasoline which has a content of over **5% methanol**.

WARNING:

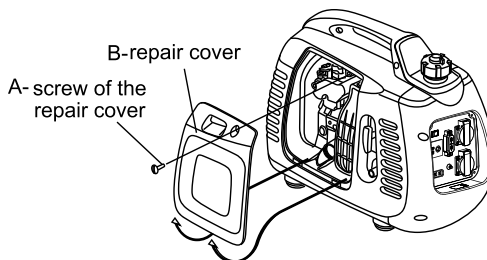
- The damage of gasoline-burning system and the performance problem of the engine caused by using the alcoholic gasoline will not be included in the warranty. The manufacturer will not guarantee the use of fuel containing methanol, as its applicability has not been confirmed.
- Before you buy gasoline at unfamiliar gasoline stations, first try to know whether the gasoline contains alcohol or not. If it contains, confirm its type and the proportion of alcohol in it. If the gasoline you use contains alcohol or you think it contains alcohol, and unexpected situations occurred during the running process, please change to use the gasoline without alcohol.

3. check the air filter

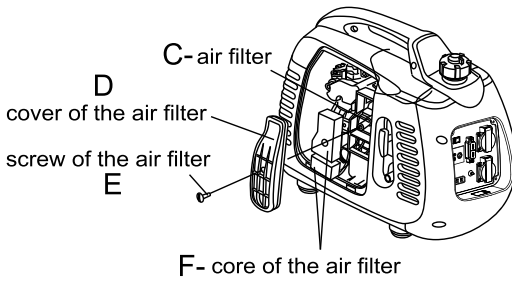
Check the core of the air filter, ensuring that it is clean and performs well. Dismantle the repair cover, loosen the screw on the cover of the air filter, and then dismantle the cover of the air filter to check the core. Please clean or change the core if necessary.

Look out

Do not run the engine without the air filter, or else filth will enter the engine through carburetor, resulting in quick wear and tear of the engine.



INVERTER Generator - PMi 2000



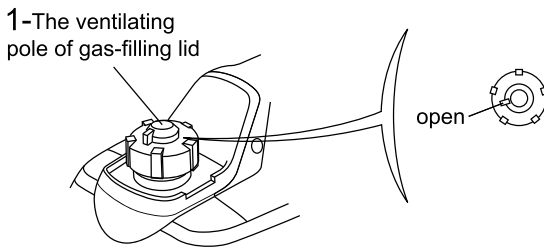
INVERTER Generator - PMi 2000

5. Start the engine

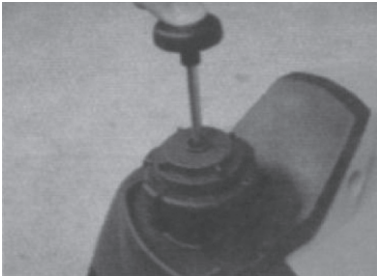
Before starting the engine, cut off the load from the alternating current socket on the engine.

- a) Totally turn the valve to the “OPEN” position clockwise.

Note: when transporting the engine, you should turn the ventilating pole of the gasoline-burning lid to the “CLOSE” position.

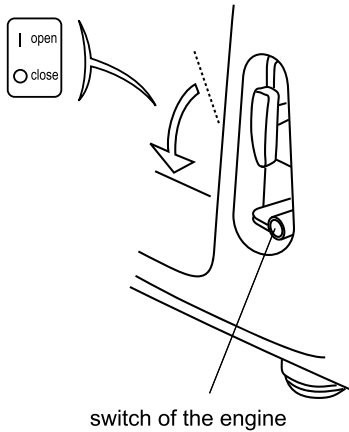


Note : in case of first use or in cold environment fasten the fuel-filling lid till the ventilating pole indicates to OFF
Pull the piston rod to the end/top and then push it down 3-4 cycles/times. (This will add pressure to the fuel system so the fuel can reach the carburetor quickly to accelerate the starting of the generator)



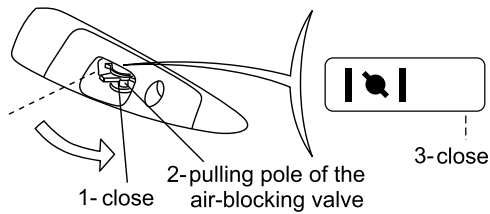
- b) Turn the switch of the engine to the “OPEN” position

INVERTER Generator - PMi 2000



- c) Turn the pulling pole of the air-blocking valve to the "CLOSE" position

Note: when the engine is hot or the environmental temperature is relatively high, do not use the starter.

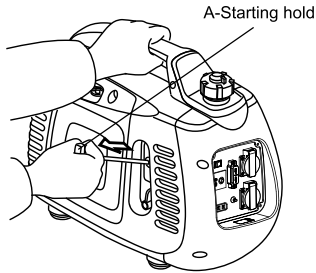


- d) Pull the starting hold (fig. A) slightly until you feel the pressure, then release the hold slowly by hand.

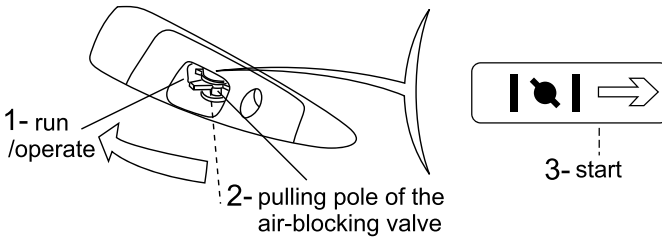
Look out

Do not let the starting hold (Fig. A) rebound, and release it slowly by hand.

INVERTER Generator - PMi 2000



e) When the engine is warming up, turn the pulling pole of the air-blocking valve to the "START" position.



Note : make sure to put to ON the ventilating pole of fuel filling lid ; otherwise after a long run of the generator there will be lack of air which will cause the stop of the generator

Attention

- If the engine can not restart after halting, check the oil level ahead of other failures.

Operation at high altitudes

At high altitudes, the standard carburetor air and gasoline mixture will become excessively dense, causing the decrease of the engine's functions, and increase of gasoline consumption. To enhance the performance of the engine in high-altitude areas, you can make special adjustments to carburetor. If you use the engine at an altitude of over 1500meters (5000 feet), please ask the

***INVERTER* Generator - PMi 2000**

authorized agent to modify the carburetor.

Even though you use the proper nozzle, the horsepower of the engine will still decline 3.5% as the altitude increases every 300meters (1000 feet). If these adjustments are not made, the altitude will have greater influence on power.

Look out

The nozzle of the engine is designed for high-altitude areas. If it is put to use in low altitudes, the outputting power may decline and become too hot, and even the engine will be damaged seriously because the ratio of the air and burning gasoline is too low.

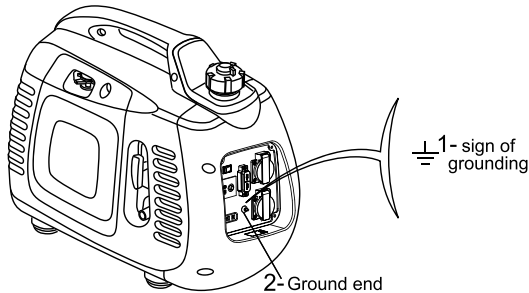
INVERTER Generator - PMi 2000

6. Usage of the engine

If all the installations that are connected have been earthed, make sure to earth the engine.

Warning

- In order to prevent getting an electric shock because of incorrect operation, the engine should be earthed. The earth port of the engine and the outside earth source are connected by a thick cable.
- As spare electrical source for buildings, the connection between generator and other electric power system must be operated by professional electricians. And the operation must comply with the related laws and electric regulations. Otherwise, the current of the engine may feed back to the public circuit. In this case, if the workers from electric power company or other people touch the wire when transmitting electricity, they may be shocked by electricity to death. On the other hand, when public electricity power is stored, the engine may burn, explode, or cause fire to the building's electric power system.



Look out

- Do not exceed rated power, and the total watt of the connected electrical equipments should be considered.
- Do not exceed the fixed current limit of socket.
- Do not link the engine to the household circuit, or else the engine or the household circuit would be damaged.
- Do not modify the engine for other unrealized purposes.

INVERTER Generator - PMi 2000

Please comply with the following regulations:

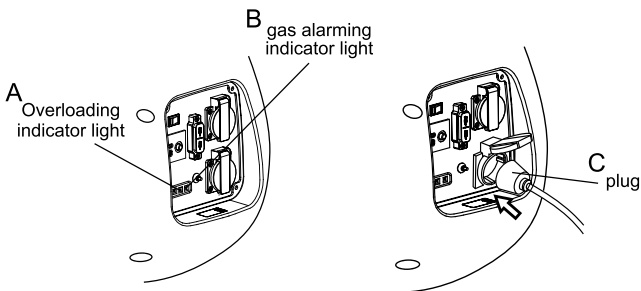
- If you need to lengthen the cable, please use the soft cable with rubber cover (according to IEC245 or relevant requirements).
- The length requirement of the lengthened cable: 60 meters for 1.5 square millimeters one, and 100 meters for 2.5 square millimeters one. If the cable is too long, the resistance in it will become so large that the applicable electric power will decrease.
- Keep the generator far away from other wires and cables, such as business electricity supplying circuitry.

Warning:

- The alternative AC and the direct electrical DC source can be used at the same time. If you want to use the alternating current and direct DC current socket at the same time, make sure that the total electric power will not exceed the summation of alternating and direct current.
- Remember! Most electrical equipment's starting power is higher than the rating power.

Use of AC alternating current

- 1 Start the engine, and make sure the indicator light (green) is on.
- 2 Make sure that the switch of the electrical equipment to be used has been turned off, before to plug it into the generator.
3. Start the equipment



Look out

- When the electrical equipment is connected with generator, make sure the equipment works well before connecting. If the running of the equipment is abnormal, the speed decreases, or the machine suddenly stops working, you should turn off the engine immediately, disconnect it from the circuit, and

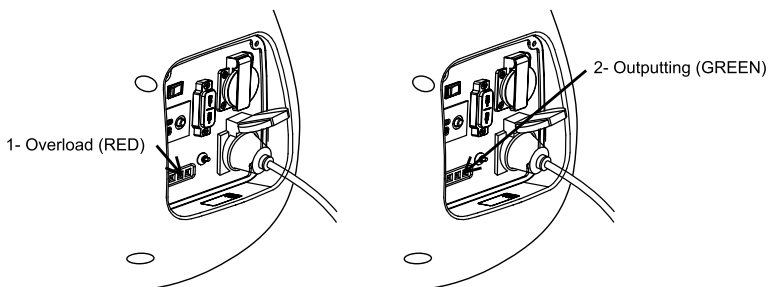
INVERTER Generator - PMi 2000

examine it to find out the breakdown.

The outputting and overloading indicator lights

If the generator is in a good working order, the outputting indicator light (green) is on. If the generator overloads (over its rated power), or in case of a short circuit inside the electrical machine it links to, the outputting indicator light (green) will turn off, while the overloading indicator light (red) will lighten. At this time, the current to the linked electrical equipment will be cut off. If the red indicator light is on, you should turn off the engine, and examine why it is overloaded.

Before you link the wire to the generator, first examine if it is in good working order, and whether its electric power level exceeds the generator capacity or not. Then engage the cable of the electrical equipment and start the generator.



Warning:

After the generator starts up, the red light and the green light may shine at the same time, if the red light goes out, it is normal. If the red light still shines, please inquire the generator agent.

Use of the continuous current

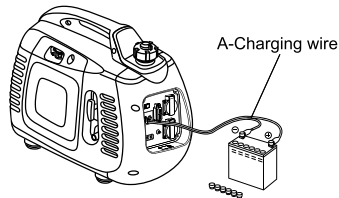
The continuous current AC socket is only applicable to charge the battery (12V).

Attention

- During the operation process of the direct current, turn the intelligent gasoline-saving valve to the "CLOSE" position.
- First connected the charging cable (Fig. A) to the direct current socket of the generator

- Then link it to the junction side of the battery.
- Start the engine

INVERTER Generator - PMi 2000



Warning

- In order to prevent spark appearing around the battery, first link the charging wire to the generator, and then to the battery. The dismantlement should start from the battery.

- Before you link the charging wire to the battery which is installed on the car, first disconnect the battery's ground wire. Do not connect the battery's ground wire until the charging cable is dismantled. Such operation will help to prevent short circuit or spark when you contact the junction side of the battery with the car's frame or body uncarefully.

Look out

- Do not try to start the car's engine when the generator is still connected with the batteries, or else the generator will be damaged.
- The positive pole of the charging cable should not be connected to the negative pole of the battery. Do not confuse the polarity of the charging cable, otherwise serious results such as damage of the generator and the battery will be caused.

Warning

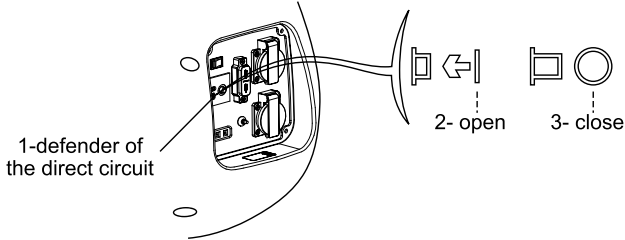
- The battery will release explosive gasoline, so it must be kept away from spark, flame, or cigarettes. Please charge it in the draught.
- The battery contains acid (electrolytic cell). Once your skin or your eyes have direct contact with it, they will be burnt. Please wear exposure suit and mask.
- ↘ If the electrolyte spatters on your skin, clean it with water immediately.
- ↘ If the electrolyte spatters into your eyes, clean it with water immediately for at least 15 minutes, and go to the doctor at once.
- The electrolyte is toxic.
- ↘ If you swallow it, drink a lot of water and go to the doctor at once.
- Keep the children away from it.

Attention

- The direct current socket can be applied when you are using alternating current.
- Overloading direct circuit may make the defender of the direct current trip.

INVERTER Generator - PMi 2000

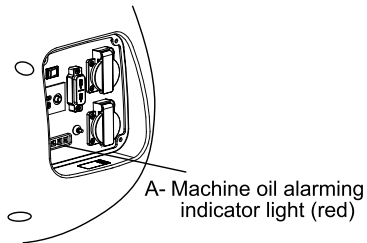
(The pressed switch springs back.) If this happens, wait for a few minutes, and then press the defender again to re-operate.



Low oil level alarming system

Low oil pressure alarming system is designed to prevent the engine being damaged by lack of machine oil in the crankcase. Before the machine oil in the crankcase declines to the security line, the low oil pressure alarming system will turn off the engine automatically. (The switch of the engine will be still in the "OPEN" position.)

After low oil pressure alarming system has closed the engine, if you operate the starter again, the low oil pressure alarming light will lighten (Fig. A), and the engine will not run. If this happens, please add machine oil.



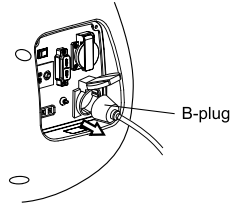
INVERTER Generator - PMi 2000

7. Turn off the engine

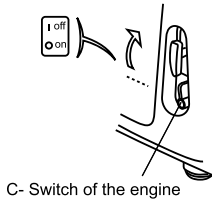
If you want to stop the engine urgently, turn the switch of the engine to the "CLOSE" position.

Normal use:

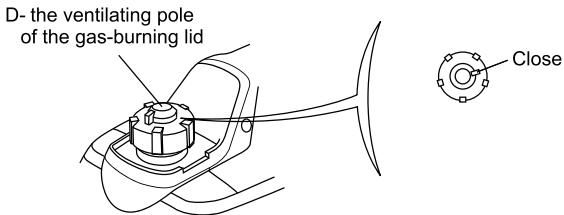
1. Turn off all the installations that are connected, and unplug the plug (Fig. B).



2. Turn the switch (Fig. C) of the plug to the "OFF" position.



3. After the engine is totally cooled, turn the ventilating pole of the gasoline-burning lid to the "CLOSE" position counter-clockwise (Fig. D).



Look out

- When you turn off, convey, and store the engine, make sure that the switches of the ventilating pole of the gasoline-burning lid and the engine are on the "CLOSE" position.

INVERTER Generator - PMi 2000

7. Maintenance

The purpose of making maintenance and adjustment plan is to keep the generator in the best working condition. Please check and maintain the generator according to the plan in the following chart.

Warning

- Please turn off the engine before you carry out any repair. If the engine needs to run when repairing, make sure the operating area is well ventilated, as the exhaust contains toxic CO.

Look out

- Please use authentic components of PMi 2000 or other substitutes with the same quality. The unqualified components will damage the generator. The plan chart for maintenance

Please maintain the generator in specified months or hours either month or hour is ok

item maintaining time by stages (1)		usage at a time	the first month or 20 hours	every three months or 50 hours	every six months or 100 hours	every year or 200 hours
machine oil	check	O				
	change		O		O	
air filter	check	O				
	clean			O(1)		
spark plug	clean-adjustment				O	
	change					O
burning container	clean	Every 300 hours(2)				
clearance of air-door	check-adjustment					O(2)
gasoline tank and filter	clean				O(2)	
gasoline route	check	every 2 years Please change (2) if necessary.				

INVERTER Generator - PMi 2000

Note:

- (1). If used in dirty places, the generator should be maintained more regularly.
- (2). Unless the user has proper tool or he is a specialist on machine, the maintenance of the above items should be done by the authorized agent. Please refer to the handbook.
- (3). When it is used for business purpose, you should write down the operating hours of the generator to confirm the correct maintenance cycle.

3. Change the oil

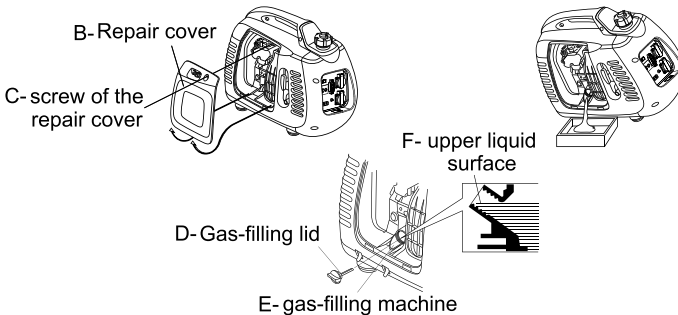
Please discharge the machine oil quickly and thoroughly when the engine is still hot.

Look out

Before you discharge the oil, make sure the switches on the ventilating pole of the gasoline-burning lid and the engine are on the "close" position.

1. Loosen the screw, and dismantle the repair cover.
2. Dismantle the gasoline-filling lid.
3. Discharge the dirty oil thoroughly into a container.
4. Fill the recommended machine oil, and check the machine oil level.
5. Re-install the repair cover and screw the screw.

A
Machine oil capability: 0.45L



Please clean your hands with soap after dealing with the machine oil.

Attention

INVERTER Generator - PMi 2000

- In order to answer for the requirement of environmental protection, we suggest you encasing the abandoned machine oil into sealed containers, and send it to the local repair station or recycle center. Do not pour the oil to the ground or into the rubbish.

3. Maintenance of the air filter

Dirty air filter will block the air from entering the carburetor. In order to prevent the carburetor from failure, please maintain the air filter regularly. If the generator is used in very dirty places, it will thus need to be maintained more regularly.

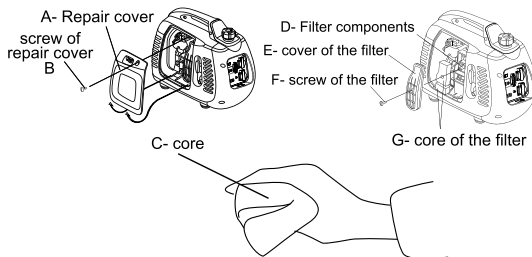
Warning

- Do not use gasoline or solvent with low burning point to clean the engine, as they are easy to burn and explode under specific conditions.

Look out

- Do not run the generator without the air filter, or else the engine will be worn quickly.

1. Loosen the screw on the repair cover, and dismantle the repair cover.
2. Loosen the screw on the cover of the air filter, and then dismantle the cover of the air filter.
3. Clean the core of the air filter with the kind of solvent which is not flammable or has high burning point, and then air the core.
4. Clean the core with clean machine oil, and squeeze out superfluous machine oil.
5. Re-install the core of air filter and its cover, and screw the screw on the cover.
6. Re-install the repair cover, screw the screw.



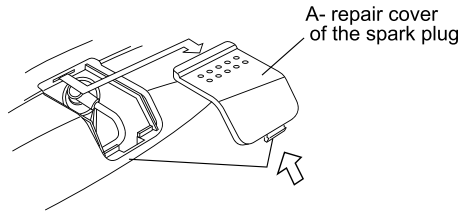
INVERTER Generator - PMi 2000

3. Maintenance of the spark plug

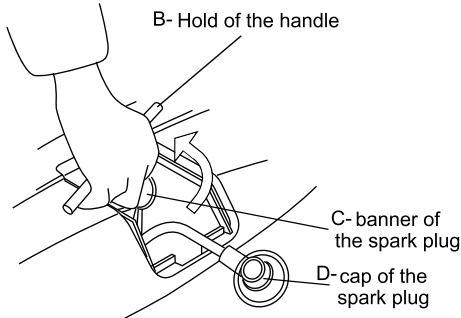
Recommended spark plug: A5RC or NGK R7HSA

To ensure the engine to work in good order, the clearance of the spark plug must be correct, and has no accumulated charcoal.

1. Dismantle the repair cover of the spark plug (Fig. A).

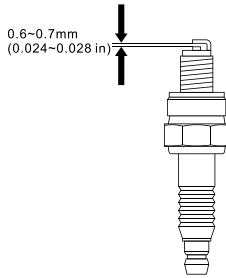


2. Dismantle the cap of the spark plug.
3. Clean out the filth around the base of the spark plug.
4. Dismantle the spark plug with a spanner.



5. Examine the spark plug with your naked eyes. If the insulator has crazed or has fragments, you should discard the spark plug. If the old spark plug needs to be used continually, you must clean it up with a brush.
6. Measure the clearance of the spark plug with a gauge. The clearance should be 0.6mm to 0.7mm.

INVERTER Generator - PMi 2000



7. Install the spark plug carefully by hand. Pay attention not to overlap the screw thread.
8. After installing a new spark plug by hand, screw it with a spanner for a half circle in order to press the washer tightly. If an old spark plug is installed, you only need to screw it from one eighth circle to one fourth circle after it is fixed.
9. Re-install the cap of the spark plug.
10. Reinstall the repair cover of the spark plug.

Look out

- The spark plug must be fixed firmly, or else it will become very hot and damage the generator.
- Do not use the spark plug whose thermal measurement range is not suitable.

INVERTER Generator - PMi 2000

8. Transport / Storage

In order to avoid the generator leaking oil during transport or temporary storage, make sure to switch off the generator, keeping it at a standing pose under normal operations. After the engine is totally cooled, turn the ventilating pole of the gasoline-filling lid to the “close” position thoroughly.

Warning

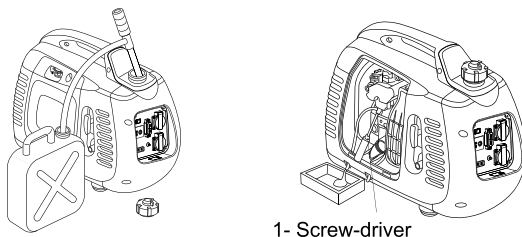
- When transporting the generator:
Do not let the gasoline spill out of the gasoline tank. (The top of the gasoline-filling tank should have no gasoline.)
- When the generator is placed on vehicle, do not run the engine. You should take the generator down from the car and operate it in the draught.
- When you take the generator to the car, avoid exposing it to sunshine. If it is put in sealed carriage for a long time, the high temperature of the carriage may cause the gasoline to boiling away, thus leads to burn.
- The cars loaded with generator should not bump on the uneven roads for a long time. If it has to travel on such roads, the gasoline in the gasoline tank should be discharged thoroughly in advance.

Before the generator is put into a long-time storage, you should:

- 1 Make sure the storage area is clean and dry.
- 2 Discharge the gasoline thoroughly.

Warning

- Gasoline is very easy to burn or explode under specific conditions.
- Smoke and flame are strictly forbidden near the gasoline.



- A. Discharge the gasoline in the gasoline tank thoroughly into a proper container
- B. Turn the switch of the engine to the “CLOSE” position. Dismantle the

INVERTER Generator - PMi 2000

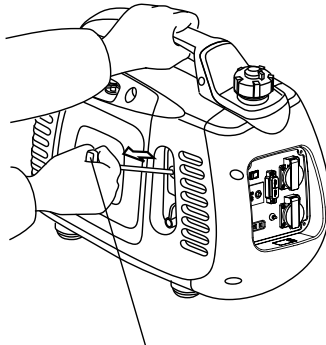
oil-discharging screw (Fig. 1) on the carburetor and discharge the gasoline in it into a proper container.

- C. Screw down the oil-discharging screw on the lid of the spark plug. Pull the starting hold for three or four times, and discharge the gasoline from the oil-spouting pump.
- D. Turn the switch of the engine to the "CLOSE" position. Then screw the oil-discharging screw tightly.
- E. Re-install the cap of the spark plug on the spark plug.

3. Discharge the machine oil.

4. Dismantle the spark plug, and pour a big spoon of clean machine oil into the engine. Make the engine rotate for several circles to make the oil evenly distribute. Install the spark plug again.

5. Pull the starting hold (Fig. 2) slowly until you feel the resistance. At this time, the piston reaches the compressed stroke, and both the entering and the discharging valve are closed. To store the generator under such condition will help to prevent the inside of the machine rusting.



2- Starting hold

9. Examine and repair the breakdown

If the engine can not be started:

Does the gasoline tank still have gasoline? → If not, fill gasoline into the gasoline tank.

↓yes

Is the switch of the generator on the "open" position? → If not, switch on the engine.

↓yes

Is there enough machine oil in the engine? → If not, add enough machine oil

↓yes

Is there any spark outside the spark plug? → If not, change the spark plug → If not, send the generator to the authorized agent.

Warning

Make sure that there is no gasoline spilling out of the spark plug. The overflowed gasoline may catch fire.

Examination:

1 Dismantle the spark plug, clean out the filth around it.

2 Dismantle the spark plug, enclose it into the cover of it.

3 Earth the side pole on the lid of the air cylinder.

4 When you pull the starting hold, the spark must spray from the clearance.

↓yes

If the engine still can not be started, send the generator to the authorized agent.

If the engine can not be started:

Does the outputting indicator light lighten? → If not, fill oil into the oil tank

↓no

Does the overloading indicator light lighten?

↓ No

Examine whether the electrical equipment or installations have any breakdown? → If not, send the generator to the authorized agent

No electric power in the direct current socket:

Is the defender of the direct circuit open? → If not, open the defender of the direct circuit

↓

→→→→→ If yes, send the generator to the authorized agent.

INVERTER Generator - PMi 2000

10. Technical specifications

Size and weight

- model PMi 2000
- length*width*height(mm) 555*305*460
- net weight(kg) 22

Engine

- model 160F
- engine type stroke 4, overhead air valve, one cylinder
- exhaust quantity(diameter of cylinder * stroke) 60*40mm
- compressing proportion 8.8:1
- rotate speed 3900rpm(intelligent accelerograph closes)
- cooling system compulsive cold wind
- ignition system transistor
- gasoline capability 0.4L
- capability of gasoline tank 6.3L
- spark plug A5RC
- noise level(ISO8528-10) 64db/7m
- displacement 113cc

Generator

- prearranged frequency(Hz) 50 60
- rated pressure(V) 230 120 240
- rated current(A) 7.4 14.2 7.08
- rated power output(KVA) 1700w
- largest amount of power output(KVA) 2000w
- direct current output 12V 6A
- electrical open circuit installation yes
- noise level (zero load ~ full load) / 7m 68.5db/7m

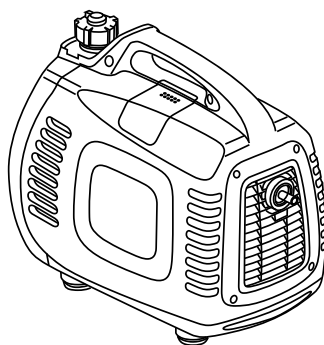


Informazioni per il consumatore

Consumer information

PR INDUSTRIAL s.r.l.
Loc. Il Piano
53031 Casole d'Elsa
Siena - Italy
Web: www.pramac.com

Groupe électrogène *INVERTER* PMi 2000



Notice d'utilisation

Veillez lire attentivement la présente notice
avant d'utiliser le groupe électrogène.
Elle contient des indications importantes pour la sécurité de fonctionnement.

Préambule

Merci d'avoir acheté ce groupe électrogène INVERTER.

Cette notice renferme les instructions d'utilisation et de maintenance du **PMi 2000**.

Les informations fournies concernent le dernier produit en date.

Nous nous réservons le droit de modifier la notice sans avis préalable et dégageons toute responsabilité à cet égard.

Toute reproduction interdite sans autorisation écrite préalable.

La notice d'utilisation est un élément essentiel et doit toujours accompagner le groupe électrogène lorsque celui-ci est déplacé.

Merci de faire attention aux indications suivantes :

Danger : si vous ne respectez pas scrupuleusement les indications, vous risquez de provoquer des accidents graves entraînant la mort.

Attention : Si vous avez des questions à propos du groupe électrogène, contactez votre revendeur afin d'éviter d'endommager l'appareil par de fausses manipulations, voire de provoquer des blessures qui pourraient être mortelles.

Remarque : signale une information utile.

Si le groupe tombe en panne ou si vous avez des questions, veuillez contracter votre revendeur.

Danger : tant que vous vous conformez aux instructions de cette notice, le groupe électrogène **PMi 2000** fonctionnera de façon sûre et fiable. Veillez à bien lire la notice et à l'assimiler avant d'utiliser l'appareil pour la première fois, afin d'éviter d'endommager l'appareil ou de vous blesser gravement.

Les informations peuvent différer légèrement en fonction des appareils.

***INVERTER* Generator - PMi 2000**

Sommaire

1. Sécurité
2. Emplacement des étiquettes relatives à la sécurité
3. Identification des pièces
4. Vérifications avant mise en marche
5. Mise en marche (fonctionnement en altitude)
6. Utilisation
7. Arrêt en vue de l'entretien
8. Transport/stockage
9. Identification des pannes et réparation
10. Spécifications techniques
11. Schéma de câblage

1. Sécurité

Pour votre sécurité, il est important de respecter les consignes qui suivent.

Danger

- Si vous observez scrupuleusement les instructions de cette notice, votre **PMi 2000** fonctionnera en toute sécurité. Veuillez à bien lire la notice et à l'assimiler avant d'utiliser l'appareil pour la première fois, afin d'éviter d'endommager l'appareil ou de vous blesser gravement.

Danger

- Les gaz d'échappement contiennent du CO toxique. Ne pas faire fonctionner le groupe électrogène dans un espace sans circulation d'air. Veiller à ce que la ventilation soit suffisante.

Danger

- Dans certaines conditions, l'essence prend feu ou explose facilement. Toujours couper le moteur avant de remplir d'essence.
- Lors du remplissage, ne pas fumer et se tenir à distance de toute étincelle. Veiller à ce que l'endroit soit bien aéré.
- Nettoyer immédiatement tout débordement d'essence.

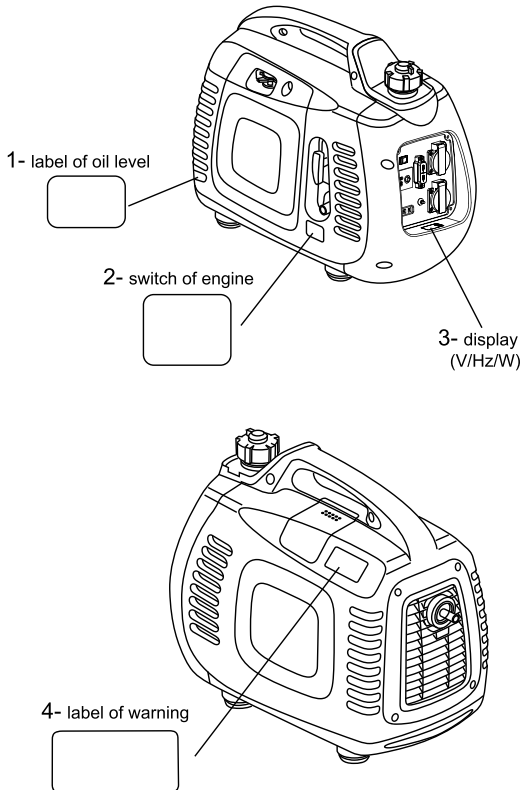
Danger

- Avant de mettre le moteur en marche, toujours vérifier que tout est en ordre afin d'éviter les accidents ou les dégâts graves.
- Le groupe électrogène doit être utilisé à une distance d'au moins 1 mètre de tout bâtiment ou autre équipement.
- Il doit toujours être placé sur une surface plane. S'il est en pente, l'essence risquerait de fuir.
- Vous devez impérativement savoir comment arrêter rapidement l'appareil et connaître tous les contrôles à effectuer sur les pièces. Ne jamais faire fonctionner le moteur sans respecter scrupuleusement les instructions.
- Tenir les enfants et les animaux domestiques à l'écart de la zone de travail.
- Lorsque le moteur fonctionne, se tenir à l'écart des pièces en rotation.
- Le groupe électrogène représente un danger s'il est mal utilisé ; ne pas y mettre les mains.
- Ne pas faire fonctionner le groupe électrogène sous la pluie ou la neige; éviter de le mouiller.

INVERTER Generator - PMi 2000

2. Emplacement des étiquettes relatives à la sécurité

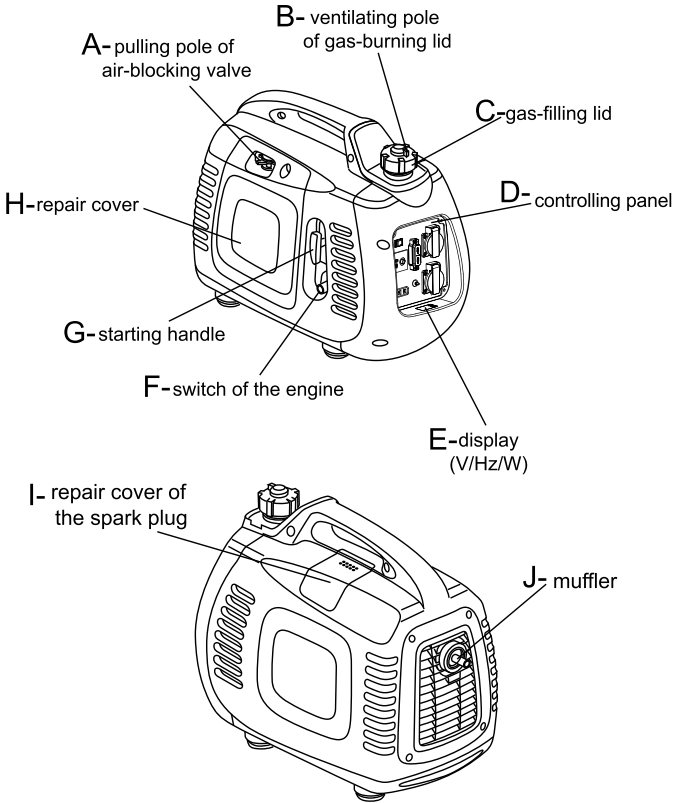
Ces étiquettes vous avertissent des dangers qui risquent de provoquer des accidents graves, voire mortels. Lire attentivement ces étiquettes, ainsi que les avertissements de sécurité et les remarques de cette notice. Si les étiquettes se sont décollées ou sont illisibles, contactez votre revendeur afin de les remplacer.



1- Étiquette niveau d'huile	2- Interrupteur moteur
3- Affichage (V/Hz/W)	4- Étiquette de mise en garde

INVERTER Generator - PMi 2000

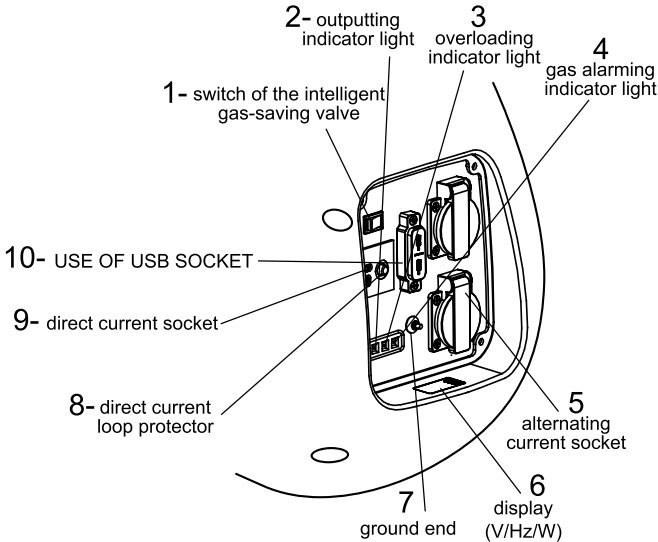
3. Identification des pièces



A- Starter	B- Event du bouchon d'essence
C- Bouchon d'essence	D- Panneau de commande
E- Affichage (V/Hz/W)	F- Interrupteur moteur
G- Lanceur	H- Trappe d'accès moteur
I- Accès à la bougie	J- Silencieux d'échappement

INVERTER Generator - PMi 2000

Panneau de commande :



1- Interrupteur de l'économiseur d'essence	2- Voyant de mise sous tension
3- Voyant de surcharge	4- Voyant de niveau d'huile
5- Prise 220V alternatif	6- Affichage (V/Hz/W)
7- Borne de terre	8- Protection prise 12V
9- Prise 12V continu	

Attention :

Astuce : L'appareil est doté d'un affichage intelligent : en fonctionnement, il indique la tension, la fréquence et la puissance consommée. Ces indications sont utiles pour éviter les surcharges.

Fonction économiseur d'essence :

Lorsque le moteur est déconnecté de l'équipement électrique, le groupe ralentit automatiquement. Lorsque l'équipement est connecté, la charge électrique ramène le groupe à une vitesse de rotation correcte. Ce système permet de réduire la consommation d'essence de l'appareil.

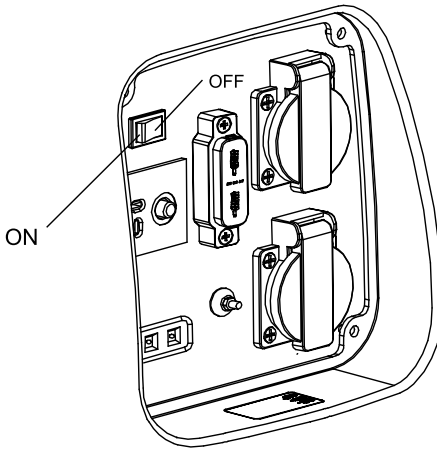
***INVERTER* Generator - PMi 2000**

Danger :

- L'interrupteur économiseur d'essence ne peut fonctionner que si un appareil électrique 220V est relié au générateur.
- Lorsque le groupe est connecté avec une forte charge électrique, fermer l'interrupteur économiseur pour éviter les changements de régimes moteur.
- Si vous utilisez la sortie 12V, fermez l'interrupteur économiseur.

En position OFF :

Le robinet économiseur d'essence est fermé et la vitesse de rotation du groupe est maintenue à un niveau supérieur à la vitesse de rotation standard.



4. Vérifications avant mise en marche

Danger

- Inspecter le groupe électrogène, le placer sur une surface plane et veiller à ce que le moteur soit coupé.

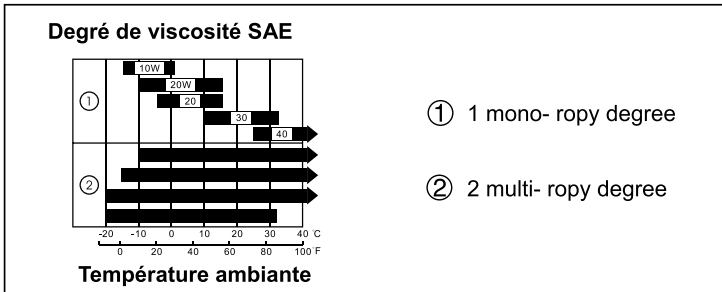
1. Vérifier le niveau d'huile

Danger

- Utiliser de l'huile sans additifs ou de l'huile pour moteur à 2 temps risque de raccourcir la durée de vie du groupe.

Utiliser de l'huile à forte teneur en additifs ou de l'huile pour moteur à 4 temps de qualité. Les performances de l'huile doivent être égales ou supérieures au niveau SG/SF requis par le fabricant ou fixé par l'American Petroleum Institute.

Choisir une huile pour moteur de degré de viscosité adéquat pour la température moyenne de l'endroit où vous vivez.



① Huile monograde

② Huile multigrade

Démonter la jauge à huile, l'essuyer avec un chiffon propre et la plonger dans l'orifice du réservoir pour vérifier le niveau d'huile. Veiller à ne pas laisser tomber la jauge dans le réservoir.

Si le niveau d'huile est inférieur au niveau minimum de la jauge, le compléter avec de l'huile appropriée par l'orifice de remplissage.

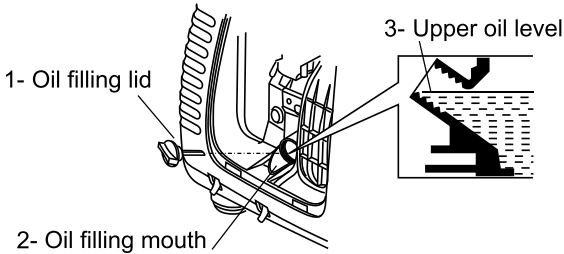
INVERTER Generator - PMi 2000

Danger

- Ne pas faire fonctionner le moteur s'il manque d'huile, sous peine de l'endommager.

Remarque :

Le système d'alerte de manque d'huile coupe le moteur avant que le niveau d'huile atteigne le seuil de minimum. Néanmoins, pour éviter les désagréments dus à l'arrêt inopiné du groupe, nous vous conseillons de vérifier régulièrement le niveau d'huile.



1- Bouchon d'huile	2- Orifice de remplissage de l'huile	3- Niveau supérieur de l'huile
--------------------	--------------------------------------	--------------------------------

2. Vérifier le niveau d'essence :

Utiliser de l'essence pour voitures. (Il est préférable d'utiliser du sans plomb ou de l'essence à faible teneur en plomb pour réduire l'accumulation de calamine dans la chambre de combustion.)

Si le niveau d'essence est trop bas, le compléter.

Ne jamais utiliser de mélange ou fuel domestique.

Veiller à ce que poussière, impuretés et eau ne puissent pénétrer dans le réservoir d'essence.

Après avoir rempli le réservoir, revisser le bouchon à fond.

Danger

- Dans certaines conditions, l'essence prend feu ou explose facilement.
- Faire le plein d'essence dans un endroit bien ventilé et toujours couper le moteur au préalable. Ne pas fumer à proximité du réservoir du groupe électrogène ni des pièces contenant de l'essence.
- L'essence ne doit pas s'échapper du réservoir (il ne doit pas y avoir d'essence dans l'orifice de remplissage). Après avoir rempli le réservoir,

INVERTER Generator - PMi 2000

revisser le bouchon à fond.

- Veiller à ne pas laisser déborder l'essence lors du remplissage du groupe électrogène. Les flaques et vapeurs d'essence risquent de prendre feu. En cas de renversement d'essence, veiller à ce que l'endroit concerné ait bien séché avant de mettre le moteur en marche.
- Éviter d'exposer la peau à de l'essence de façon prolongée ou répétée. Ne pas laisser les enfants toucher à l'essence.

Bio carburants :

Si vous décidez d'utiliser de l'essence contenant de l'alcool (bioéthanol), sa teneur en octane ne doit pas être inférieure à celle qui est recommandée par le fabricant. Il existe deux types d'essence à l'alcool : l'une contient de l'éthanol, l'autre du méthanol.

Ne pas utiliser d'alcool contenant plus de **10% d'éthanol**.

Ne pas utiliser d'essence contenant plus de **5% de méthanol**.

DANGER :

- Les dégâts du circuit de combustion et les problèmes de performances dus à l'utilisation d'essence à l'alcool ne sont pas pris en charge dans la garantie. Le fabricant ne fournit pas de garantie pour l'emploi d'essence contenant de l'alcool, car les conditions d'application n'en ont pas été confirmées.
- Avant d'acheter de l'essence dans une station que vous ne connaissez pas, essayez de savoir si l'essence qui vous est proposée contient ou non de l'alcool. Si elle en contient, faites-vous confirmer le type d'alcool et le dosage. Si l'essence utilisée contient de l'alcool ou si vous ne savez pas si elle en contient et que des phénomènes inhabituels surviennent durant l'utilisation, changez pour de l'essence sans alcool.

3. Vérifier le filtre à air

Vérifier que le filtre à air est propre et fonctionne correctement.

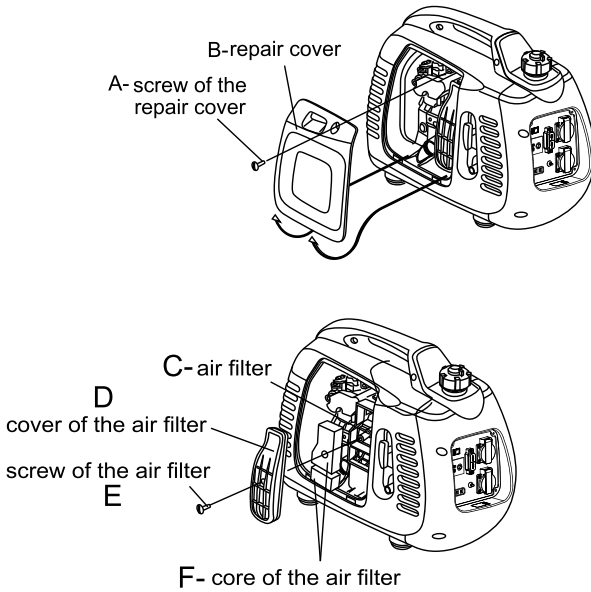
Retirer le cache, desserrer la vis de la cloche du filtre à air et retirer la cloche pour examiner le filtre.

Nettoyer ou changer le filtre si nécessaire.

Attention

Ne pas faire fonctionner le moteur sans filtre à air : la poussière pénétrerait dans le moteur via le carburateur, entraînant une usure prématurée.

INVERTER Generator - PMi 2000



A- Vis du cache	B- Trappe d'accès moteur	C- Filtre à air
D- Cloche de filtre	E- Vis du filtre à air	F- Matière filtrante

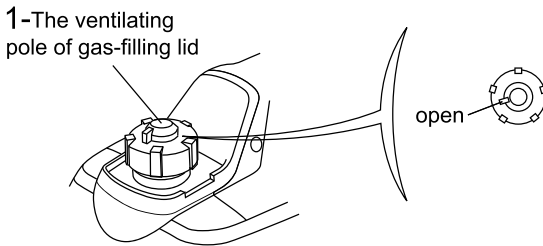
INVERTER Generator - PMi 2000

5. Mise en marche du moteur

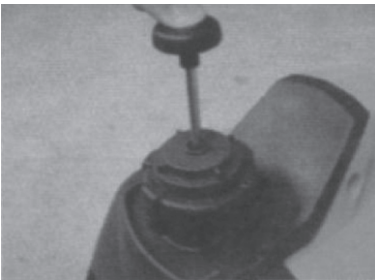
Avant de mettre le moteur en marche, débrancher la prise du courant alternatif.

- f) Tourner le robinet de mise à l'air libre du réservoir à fond dans le sens des aiguilles d'une montre, en position "OPEN".

Remarque : pour transporter le moteur, tourner le robinet de mise à l'air libre du bouchon d'essence en position "CLOSE".



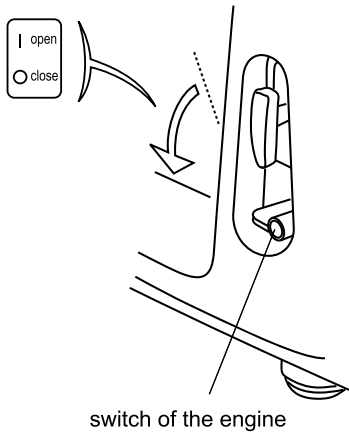
Remarque : lors de la première utilisation ou dans un environnement froid, tournez le bouchon de ventilation du réservoir à carburant sur la position OFF. Tirez la tige du piston jusqu'en haut, puis poussez-le vers le bas 3-4 fois. (Cela va ajouter de la pression dans le système de carburation de sorte que l'essence atteindra le carburateur rapidement accélérera le démarrage du groupe électrogène).



1- Robinet de mise à l'air libre du bouchon d'essence	open = ouvert
---	---------------

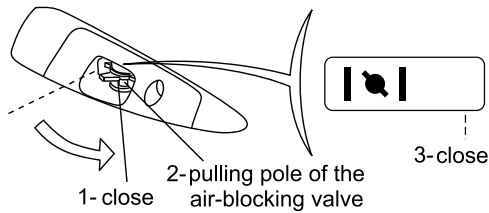
- g) Tourner l'interrupteur du moteur en position "OPEN".

INVERTER Generator - PMi 2000



- h) Tourner le starter en position "CLOSE".

Remarque : si le moteur est chaud ou la température ambiante élevée, ne pas utiliser le starter.



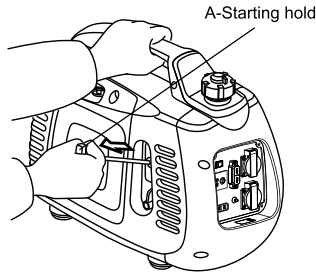
1- Fermeture	2- Starter	3- Position Close
--------------	------------	-------------------

- i) Tirer sur le lanceur (fig. A) jusqu'à sentir une pression, puis relâcher.

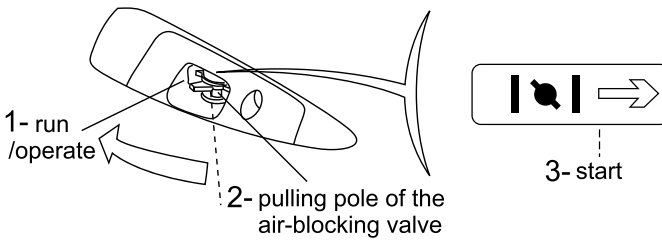
Attention

Ne pas laisser le lanceur revenir brutalement (Fig. A) ; l'accompagner doucement avec la main.

INVERTER Generator - PMi 2000



j) Quand le moteur est chaud, tourner le starter en position "START".



1- Marche	2- Starter	3- Position Start
-----------	------------	-------------------

Remarque: assurez-vous de mettre le bouchon de ventilation du réservoir à carburant sur la position ON, sans quoi après une longue période d'utilisation le groupe électrogène risque de manquer d'air, ce qui peut provoquer l'arrêt du moteur.

Attention :

- Si le moteur ne redémarre pas après un arrêt, vérifié avant toute chose le niveau d'essence.

INVERTER Generator - PMi 2000

Fonctionnement en haute altitude

En haute altitude, le mélange standard air/essence du carburateur devient trop dense, provoquant une dégradation du fonctionnement du moteur et une augmentation de la consommation d'essence. Pour améliorer les performances du moteur, vous pouvez effectuer un réglage spécial du carburateur. Si vous utilisez le moteur à plus de 1500 m d'altitude, demandez à un représentant agréé de modifier le carburateur.

Même si vous utilisez le bon gicleur, la puissance nominale du moteur continuera à diminuer de 3,5% tous les 300 m d'altitude. Si aucun réglage n'est effectué, l'altitude aura d'autant plus d'influence sur la puissance.

Attention

Le gicleur est conçu pour la haute altitude. S'il est utilisé à basse altitude, la puissance nominale peut diminuer et le moteur risque de trop chauffer, voire d'être sérieusement endommagé si le rapport air/essence est trop bas.

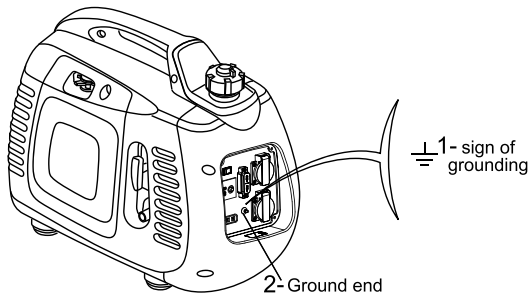
INVERTER Generator - PMi 2000

6. Utilisation du moteur

Si tous les équipements sont reliés à la terre, s'assurer de relier aussi le moteur à la terre.

Danger

- Pour éviter tout choc électrique dû à un dysfonctionnement, le moteur doit être relié à la terre. La prise de terre du moteur et la terre extérieure doivent être reliés par un câble épais.
- Lorsque le groupe est utilisé en secours pour des bâtiments, le raccordement entre le groupe et le reste du circuit électrique doit être effectué par un professionnel. L'installation doit être conforme à la législation et aux réglementations électriques en vigueur. Dans le cas contraire, le courant du moteur pourrait être réinjecté dans le réseau public. Or, si le personnel de la compagnie d'électricité ou d'autres personnes touchait le câble alors qu'il transporte de l'électricité, ils risqueraient l'électrocution. Par ailleurs, si l'électricité du réseau est stockée, le moteur risque de griller, d'exploser ou de provoquer un incendie dans le circuit électrique du bâtiment.



1- Symbole de mise à la terre

2- Borne de terre

Attention

- Ne pas dépasser la puissance nominale et tenir compte de la puissance restituée de l'ensemble des équipements électriques connectés.

INVERTER Generator - PMi 2000

- Ne pas dépasser la limite de courant indiquée pour la prise.
- Ne pas brancher le moteur sur le circuit domestique, sous peine de risquer d'endommager l'un ou l'autre.
- Ne pas modifier le moteur pour quelque motif que ce soit.

Respecter les directives suivantes :

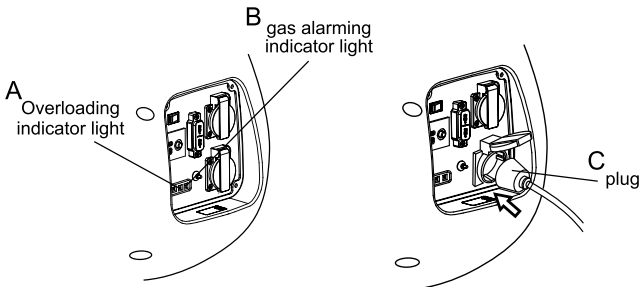
- Si vous devez allonger le câble, utilisez du câble souple gainé de caoutchouc (selon IEC245 ou autre norme).
- Contraintes de longueur du câble allongé : 60 mètres pour les câbles de 1,5 mm², 100 mètres pour les câbles de 2,5 mm². Si le câble est trop long, sa résistance interne devient si importante que la puissance électrique applicable diminue.
- Tenir le groupe électrogène à distance des autres fils et câbles comme les circuits d'alimentation électrique d'entreprises.

Danger :

- Les sorties de courant alternatif et continu peuvent être utilisées simultanément. Dans ce cas, assurez-vous que la puissance électrique totale ne dépasse pas la somme des courants alternatif et continu.
- Attention ! Le courant de démarrage de la plupart des équipements électriques est supérieur à la puissance nominale.

Emploi du courant alternatif

- 1 Démarrer le moteur et vérifier que le voyant (vert) s'allume.
- 2 Vérifier que l'interrupteur de l'équipement électrique à utiliser est sur arrêt et le brancher sur le groupe.
- 3 Allumer l'équipement.



A- Voyant de surcharge

B- Voyant de niveau d'essence

C- Prise 220V

Attention :

INVERTER Generator - PMi 2000

- L'équipement étant connecté, vérifier qu'il fonctionne correctement. S'il ne fonctionne pas normalement, si le régime diminue ou qu'il s'arrête brusquement, couper immédiatement le moteur, le débrancher et chercher la cause de la panne.

Les voyants de mise sous tension et de surcharge

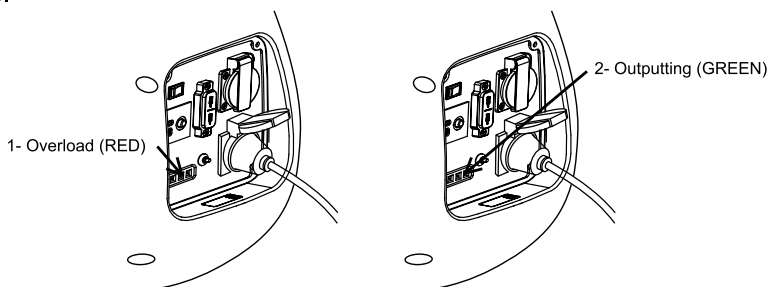
Si le groupe électrogène fonctionne correctement, le voyant de mise sous tension (vert) s'allume.

Si le groupe est en surcharge (plus de sa puissance nominale) ou qu'un court-circuit s'est produit dans l'équipement auquel il est raccordé, le voyant vert de mise sous tension s'éteint et le voyant rouge de surcharge s'allume. Le courant qui alimente l'appareil connecté est alors coupé.

Lorsque le voyant rouge s'allume, couper le moteur et rechercher la cause de la surcharge.

Vérifier que les câbles sont en bon état et s'assurer que la puissance électrique de l'équipement ne dépasse pas la capacité du groupe.

Brancher le câble de l'équipement électrique et mettre le groupe électrogène en marche.



1- Surcharge (ROUGE)	2- Mise sous tension (VERT)
----------------------	-----------------------------

Danger :

Au démarrage du groupe électrogène, il se peut que les voyants rouge et vert s'allument en même temps; si le voyant rouge s'éteint rapidement, c'est que tout est normal. S'il reste allumé, contacter le revendeur du groupe électrogène.

Emploi du courant continu

La prise courant continu sert uniquement à charger la batterie (12V).

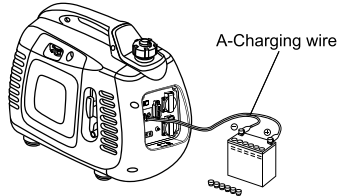
Attention :

- Pendant le fonctionnement en courant continu, mettre l'interrupteur

INVERTER Generator - PMi 2000

économiseur d'essence en position "OFF" .

- Commencer par brancher le câble de charge (Fig. A) sur la prise cc du groupe électrogène.
- Le relier ensuite aux bornes de la batterie.
- Mettre le moteur en marche.



Danger

- Pour éviter la formation d'étincelles autour de la batterie, brancher le câble de charge d'abord sur le groupe, puis sur la batterie. Pour débrancher, commencer par la batterie.
- Avant de brancher le câble de charge à la batterie du véhicule, déconnecter le fil de terre de la batterie. Ne pas reconnecter le fil de terre de la batterie tant que le câble de charge n'est pas débranché. Vous éviterez ainsi les courts circuits et les étincelles en cas de contact accidentel entre les connecteurs de la batterie et de la carrosserie.

Attention

- Ne pas mettre le moteur du véhicule en marche tant que le groupe électrogène est branché sur la batterie, sous peine d'endommager le groupe.
- Le + du câble de charge ne doit pas être raccordé au - de la batterie. Ne pas intervertir les polarités du câble de charge, vous risqueriez d'endommager gravement le groupe électrogène ou la batterie.

Danger

- La batterie peut dégager des vapeurs explosives, et doit être tenue à l'écart de toute étincelle, flamme ou cigarette. Effectuer la charge dans un endroit bien ventilé.
- La batterie renferme de l'acide (électrolyte). Tout contact avec la peau ou les yeux entraîne des brûlures graves. Porter un masque et des vêtements de protection.

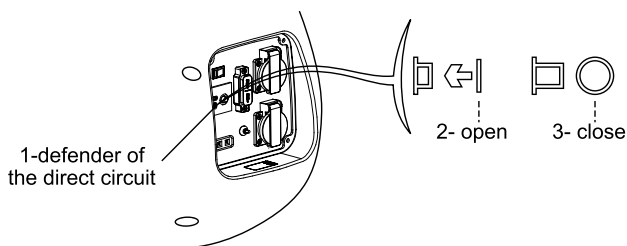
- ↘ En cas de projection d'électrolyte sur la peau, rincer immédiatement à l'eau.
- ↘ En cas de projection dans les yeux, rincer abondamment à l'eau claire

INVERTER Generator - PMi 2000

- pendant au moins 15 minutes et consulter immédiatement un médecin.
- L'électrolyte est un produit toxique.
- ↘ En cas d'ingestion, boire immédiatement beaucoup d'eau et consulter immédiatement un médecin.
- Tenir les enfants à l'écart.

Attention :

- Vous pouvez utiliser la prise 12V en même temps que le courant alternatif.
- Une surcharge du circuit de courant continu peut déclencher le disjoncteur. (le bouton remonte) Si cela se produit, attendre quelques minutes et appuyer sur le disjoncteur pour le réarmer.

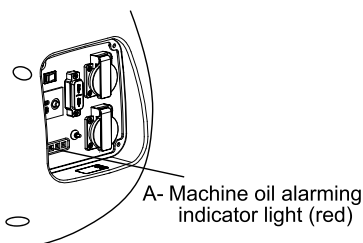


1- Disjoncteur du circuit 12V	2- Armé	3- Désarmé
-------------------------------	---------	------------

Alarme de niveau d'huile :

Cette alarme est destinée à empêcher d'endommager le moteur par manque d'huile dans le carter. L'alarme coupe automatiquement le moteur avant que l'huile machine atteigne le seuil inférieur de sécurité. (L'interrupteur du moteur est toujours en position "OPEN").

Lorsque l'alarme a coupé le moteur, si actionner le lanceur, le voyant d'alarme (Fig. A) s'allume et le moteur de démarre pas. Si cela se produit, rajouter de l'huile.



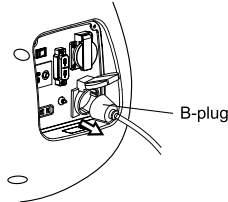
INVERTER Generator - PMi 2000

7. Arrêt du moteur

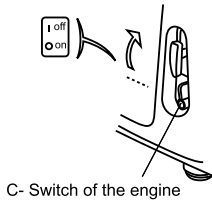
Pour arrêter le moteur instantanément, mettre l'interrupteur en position "CLOSE" .

Mode opératoire :

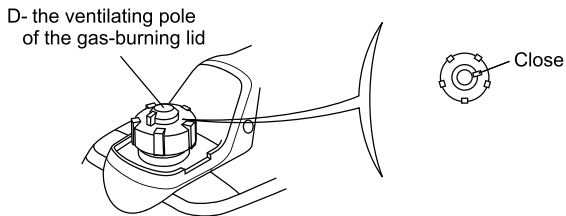
1. Arrêter tous les équipements en fonctionnement et débrancher la prise(Fig. B).



2. Mettre l'interrupteur du moteur (Fig. C) en position "OFF".



3. Lorsque le moteur a totalement refroidi, tourner l'axe de purge du bouchon d'essence dans le sens inverse des aiguilles d'une montre en position "CLOSE" (Fig. D).



D- Mise à l'air libre du réservoir d'essence	Close = Fermé
--	---------------

Attention

- Lorsque vous arrêtez, transportez et rangez le moteur, assurez-vous TOUJOURS la mise à l'air libre du réservoir et l'interrupteur du moteur sont en position "CLOSE".

INVERTER Generator - PMi 2000

7. Entretien

Pour que le groupe électrogène soit toujours en état de fonctionner, il faut faire un entretien et des réglages réguliers.

Merci de suivre pour cela le tableau ci-après.

Danger

- Avant d'effectuer toute réparation, couper le moteur. S'il faut que le moteur tourne pour effectuer la réparation, veillez à ce que la zone soit bien ventilée, car les gaz d'échappement contiennent du CO toxique.

Attention

- Toujours utiliser des pièces d'origine ou des équivalents de même qualité. Des pièces non agréées peuvent endommager le groupe électrogène.

Tableau d'entretien

Effectuer l'entretien du groupe à intervalles réguliers, en mois ou en heures au premier terme atteint

Pièce Fréquence d'entretien (1)		à chaque utilisation	1 mois ou au bout de 20 heures	tous les 3 mois ou toutes les 50 heures	tous les six mois ou toutes les 100 heures	tous les ans ou toutes les 200 heures
huile machine	vérifier	O				
	remplacer		O		O	
filtre à air	vérifier	O				
	nettoyer			O(1)		
bougie	nettoyage-réglage				O	
	remplacer					O
chambre de combustion	nettoyer	toutes les 300 heures (2)				
jeu de la trappe à air	vérifier-régler					O(2)
réservoir à essence et filtre	nettoyer				O(2)	
circuit d'essence	vérifier	tous les 2 ans - Remplacer (2) si nécessaire.				

INVERTER Generator - PMi 2000

Remarque :

- (1). Si le groupe est utilisé dans un environnement sale, l'entretien devra être plus fréquent.
- (2). Sauf s'il dispose des outils appropriés ou s'il est mécanicien, l'utilisateur doit confier l'entretien de l'appareil à un représentant agréé. Se reporter au manuel.
- (3). Si le groupe est utilisé à titre professionnel, il est recommandé de noter les heures de service pour pouvoir respecter le planning d'entretien.

3. Remplacement de l'huile

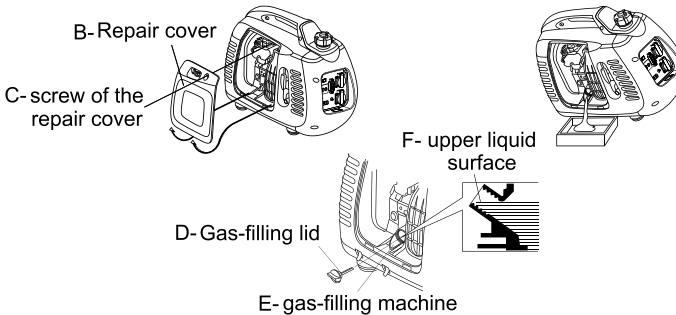
Vider rapidement et complètement l'huile usagée alors que le moteur est encore chaud.

Attention

Avant de vider l'huile, s'assurer que la mise à l'air libre du bouchon d'essence et l'interrupteur du moteur sont en position "CLOSE".

6. Desserrer la vis et déposer le cache.
7. Retirer le bouchon d'essence.
8. Vider toute l'huile usagée dans un récipient.
9. Remplir d'huile neuve du grade recommandé et vérifier le niveau.
10. Remettre le cache en place et revisser.

A
Machine oil capability: 0.45L



A- Capacité du réservoir d'huile : 0,45 l	B- Cache	C- Vis du cache
D- Bouchon d'huile	E- Orifice de remplissage de l'huile	F- Niveau supérieur

INVERTER Generator - PMi 2000

Toujours se nettoyer les mains au savon après avoir manipulé l'huile.

Attention :

- Pour respecter l'environnement, nous vous conseillons de mettre l'huile usagée dans des récipients étanches et de la déposer à la déchetterie ou dans un centre de recyclage agréé. Ne pas déverser l'huile dans la terre ni la mettre à la poubelle.

3. Entretien du filtre à air

Un filtre à air encrassé empêche l'air de pénétrer dans le carburateur. Pour que le carburateur fonctionne correctement, le filtre à air doit être nettoyé régulièrement. Le filtre à air devra être nettoyé d'autant plus fréquemment que le groupe électrogène est utilisé dans un environnement très sale.

Danger

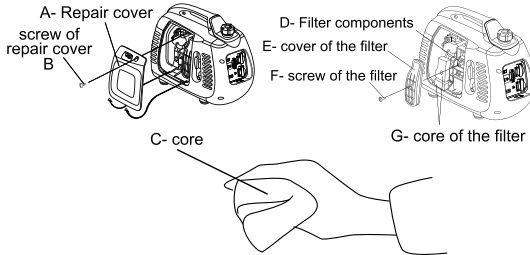
- Ne pas nettoyer le moteur avec de l'essence ou un solvant à bas point d'inflammabilité, car ils brûlent et explosent trop facilement.

Attention

- Ne pas faire fonctionner le groupe sans filtre à air, sous peine de provoquer une usure prématurée du moteur.

7. Desserrer la vis du cache et déposer le cache.
8. Desserrer la vis de la cloche de filtre à air et déposer la cloche.
9. Nettoyer le filtre à air avec un solvant ininflammable ou ayant un point d'inflammabilité élevé, puis laisser sécher.
10. Nettoyer le filtre avec de l'huile machine propre et presser le filtre pour retirer l'excédent d'huile.
11. Remettre en place le filtre, la cloche et revisser la vis.
12. Remettre le cache en place et revisser.

INVERTER Generator - PMi 2000



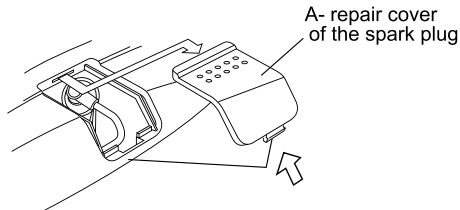
A- Cache	B- Vis de cache	C- Matière filtrante
D- Éléments filtrants	E- Cloche de filtre	F- Vis
G- Matière filtrante		

3. Entretien de la bougie

Bougie recommandée : A5RC ou NGK R7HSA

Pour que le moteur fonctionne bien, il faut que l'écartement de la bougie soit correct et qu'elle ne soit pas encrassée par la calamine.

11. Démontez le cache de la bougie (Fig. A).

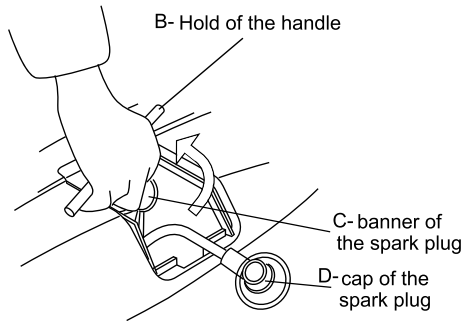


12. Retirez l'anti parasite de la bougie.

13. Nettoyez la saleté à la base de la bougie.

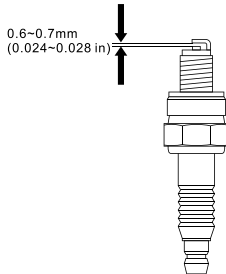
14. Retirez la bougie à l'aide d'une clé.

INVERTER Generator - PMi 2000



B- Poignée de la clé à bougie	C- Clé à bougie	D- Anti parasite
-------------------------------	-----------------	------------------

15. Examiner la bougie à l'œil nu. Si l'isolant est fissuré ou craquelé, jeter la bougie. Si la bougie usagée doit être réutilisée, la nettoyer à la brosse.
16. Mesurer l'écartement de la bougie avec un calibre. Il doit se situer entre 0,6mm et 0,7mm.



17. Remettre soigneusement en place la bougie à la main. Faire attention à ne pas abimer le filet.
18. Après mise en place d'une bougie neuve, serrer d'un demi-tour de clé pour bien comprimer la rondelle. Lorsqu'une ancienne bougie est remise en place, visser seulement d'un huitième à un quart de tour.
19. Remettre l'anti parasite en place.
20. Remettre en place le cache de la bougie.

Attention :

- La bougie doit être bien fixée, sinon elle chauffe et peut endommager le groupe électrogène.
- Ne pas utiliser une bougie dont la valeur thermique n'est pas correcte.

8. Transport/stockage

Pour éviter que le groupe perde de l'essence pendant le transport ou le stockage temporaire, veiller à l'arrêter et à le mettre en position verticale. Lorsque le moteur a totalement refroidi, tourner la mise à l'air libre du bouchon d'essence en position "CLOSE".

Danger :

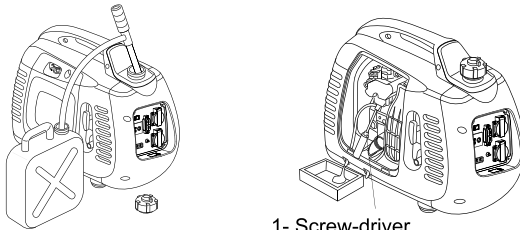
- Pour transporter le groupe électrogène :
Veiller à ce que le réservoir ne perde pas d'essence. (Il ne doit pas y avoir d'essence dans l'orifice de remplissage du réservoir.)
- Lorsque le groupe est dans un véhicule, ne pas mettre le moteur en marche. Sortir le groupe du véhicule et le faire fonctionner à l'air libre.
- Lorsque vous transportez le groupe, évitez de le laisser au soleil. S'il est laissé dans un véhicule fermé pendant une durée prolongée, la chaleur intérieure risque d'entraîner une ébullition de l'essence, et donc un incendie.
- Les véhicules transportant le groupe électrogène ne doivent pas emprunter des routes cahoteuses trop longtemps. Si vous devez emprunter ce type de route, vidangez au préalable l'essence du réservoir du groupe.

Avant de remiser le groupe électrogène pour une période prolongée, procéder comme suit :

- 1 Vérifier que le lieu de stockage est propre et sec.
- 2 Vidanger soigneusement toute l'essence.

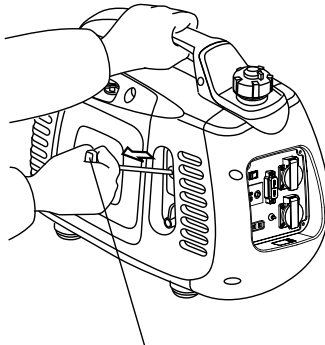
Danger :

- Dans certaines conditions, l'essence prend feu ou explose facilement.
- Il est strictement interdit de fumer ou de présenter une flamme à proximité de l'essence.



INVERTER Generator - PMi 2000

- F. Verser l'essence dans un récipient approprié.
 - G. Tourner l'interrupteur du moteur en position "CLOSE". Dévisser le bouchon de purge (Fig.1) du carburateur et vidanger l'essence dans un récipient approprié.
 - H. Revisser la vis de purge sur le cache de la bougie. Tirer 3 ou 4 fois sur le lanceur pour vidanger l'essence de la pompe.
 - I. Tourner l'interrupteur du moteur en position "CLOSE". Serrer le bouchon de purge à fond.
 - J. Remettre la protection de la bougie en place.
- 3. Vidanger l'huile moteur.
 - 4. Démontez la bougie et versez une grosse cuiller d'huile neuve dans la chambre de combustion. Faire faire plusieurs rotations au moteur pour répartir l'huile régulièrement. Remonter la bougie.
 - 5. Tirer lentement le lanceur (Fig. 2) jusqu'à sentir une résistance. Le piston est alors en position de compression et les robinets d'arrivée et de sortie sont fermés. Prendre ces précautions pour stocker le groupe électrogène évite que celui-ci ne rouille à l'intérieur.



2- Starting hold

9. Identification des pannes et réparation

Le moteur ne démarre pas :

Y a-t-il encore de l'essence dans le réservoir ? → Dans la négative, remettre de l'essence.

↓oui

L'interrupteur du groupe est-il en position "ouvert" ? → Dans la négative, mettre le moteur en marche.

↓oui

Y a-t-il suffisamment d'huile machine dans le moteur ? → Dans la négative, ajouter de l'huile

↓oui

Observe-t-on des étincelles autour de la bougie ? → Dans la négative, remplacer la bougie → Dans la négative, envoyer le groupe électrogène chez un représentant agréé.

Danger :

Vérifier qu'il ne sort pas d'essence par la bougie. L'essence pourrait prendre feu.

Examen :

- 1 Retirer la bougie et la nettoyer.
- 2 Démontez la bougie et la mettez dans l'anti parasite.
- 3 Mettre en contact la bougie avec la culasse.
- 4 Quand on tire le lanceur, une étincelle doit jaillir de la bougie.

↓oui

Si le moteur ne démarre toujours pas, envoyer le groupe électrogène chez un représentant agréé.

Le moteur ne démarre pas :

Le voyant de mise sous tension s'allume-t-il ? → Dans la négative, remettre de l'huile

↓non

Le voyant de surcharge s'allume-t-il ?

↓ Non

L'un des équipements électriques n'est-il pas défaillant ? → Dans la négative, envoyer le groupe électrogène chez un représentant agréé

Pas de courant dans la prise 12V :

Le disjoncteur du circuit continu est-il armé ? Dans la négative, le réarmer ?

↓

→→→→→ Si le disjoncteur est armé, envoyer le groupe électrogène chez un représentant agréé.

INVERTER Generator - PMi 2000

10. Spécifications techniques

Dimensions et poids

- | | |
|-------------------------------------|-------------|
| ▪ Modèle | PMi 2000 |
| ▪ Longueur x largeur x hauteur (mm) | 555x305x460 |
| ▪ Poids net (kg) | 22 |

Moteur :

- | | |
|--|--|
| ▪ Modèle | 160F |
| ▪ Type | 4 temps, soupape en tête, un cylindre |
| ▪ Échappement
(diamètre du cylindre x course) | 60x40mm |
| ▪ Rapport de compression | 8,8:1 |
| ▪ Régime | 3900 tr/mn (compte-tours électronique) |
| ▪ Refroidissement | air forcé |
| ▪ Allumage | transistor |
| ▪ Capacité du réservoir d'huile | 0,4l |
| ▪ Capacité du réservoir d'essence | 6.3l |
| ▪ Bougie | A5RC |
| ▪ Niveau sonore (ISO8528-10) | 64db/7m |
| ▪ Cylindrée | 113cc |

Groupe électrogène

- | | | | |
|---|-----------|------|------|
| ▪ Fréquence pré-réglée (Hz) | 50 | 60 | |
| ▪ Tension nominale (V) | 230 | 120 | 240 |
| ▪ Courant nominal (A) | 7,4 | 14,2 | 7,08 |
| ▪ Puissance absorbée nominale (KVA) | 1700W | | |
| ▪ Puissance absorbée maxi (KVA) | 2000W | | |
| ▪ Sortie en cc | 12V 6A | | |
| ▪ Installation en circuit ouvert | oui | | |
| ▪ Niveau sonore (à vide ~ pleine charge) / 7m | 68,5db/7m | | |



Informazioni per il consumatore

Consumer information

PR INDUSTRIAL s.r.l.

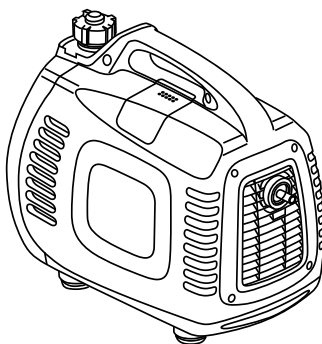
Loc. Il Piano

53031 Casole d'Elsa

Siena - Italy

Web: www.pramac.com

Generador *INVERTER* PMi 2000



Manual del Usuario

Lea cuidadosamente este manual antes de utilizar el generador.
Esta guía contiene información importante para una operación segura.

Prefacio

Gracias por adquirir el Generador INVERTER.

Este libro contiene las instrucciones de operación y mantenimiento del generador **PMi 2000**.

Todo el contenido ofrecido en este manual se ajusta a las características del producto más reciente.

La Empresa se reserva el derecho a modificar esta guía, sin previo aviso y sin que ello conlleve ningún tipo de responsabilidad.

Queda totalmente prohibida la reproducción de este manual sin una autorización previa por escrito.

Esta guía, como una de las partes integrantes del generador, deberá acompañar a la máquina en caso de venta o cesión de la misma.

Es necesario prestar una atención especial a los textos acompañados por los siguientes términos, ya que se trata de información importante:

Advertencia Este término indica que si la operación de la unidad no se efectúa de acuerdo con las instrucciones facilitadas en esta guía, podrían producirse accidentes graves, incluso con peligro de muerte.

Consulta Este término indica que, en caso de lesiones personales o daños del equipo como resultado de la operación incorrecta, puede ponerse en contacto con su distribuidor para solucionar cualquier duda.

Nota: Este término se utiliza para acompañar a la información que resulte de gran utilidad.

Si se produjera algún fallo en el generador, o si tuviera alguna pregunta con respecto al mismo, póngase en contacto con su distribuidor.

Advertencia: El cumplimiento de las instrucciones indicadas en esta guía permitirá disfrutar de una operación segura y fiable del generador. Lea y comprenda cuidadosamente esta guía antes de utilizar la unidad, ya que la operación incorrecta de la misma podría causar daños en el equipo o lesiones personales.

Las guías de los diferentes generadores podrían presentar ciertas diferencias.

***INVERTER* Generator - PMi 2000**

Catálogo

1. Instrucciones de Seguridad
2. Posición de las Etiquetas de Seguridad
3. Identificación de los Componentes
4. Comprobación Previa a la Operación
5. Arranque del Motor (Operación a Grandes Altitudes)
6. Uso de la Unidad
7. Apagado del Motor Mantenimiento
8. Transporte / Almacenamiento
9. Comprobación y Reparación de Averías
10. Especificaciones Técnicas
11. Diagrama de Cableado

1. Instrucciones de Seguridad

Es necesario seguir cuidadosamente las instrucciones de seguridad facilitadas en la guía.

Advertencia

- El cumplimiento de las instrucciones proporcionadas en este manual permitirá disfrutar de una operación segura del generador **PMi 2000**. Lea y comprenda cuidadosamente esta guía antes de utilizar la unidad, ya que la operación incorrecta de la misma podría causar daños en el equipo o lesiones personales.

Advertencia

- Los gases de escape contienen CO₂ tóxico. No opere el generador en un espacio carente de una ventilación adecuada. Asegúrese de que el área de operación disponga de una buena ventilación.

Advertencia

- Bajo ciertas condiciones, la gasolina presenta un gran riesgo de combustión o explosión. Apague el motor antes de proceder al llenado del depósito de combustible.
- Queda totalmente prohibido fumar cuando se proceda a rellenar el depósito de combustible. También debe evitarse por completo la presencia de chispas o llamas expuestas en las proximidades. Asegúrese de efectuar el llenado de combustible en un área bien ventilada.
 - Limpie inmediatamente cualquier vertido de gasolina que pudiera producirse.

Advertencia

- Cada vez que vaya a arrancarse el motor, es necesario inspeccionar la unidad con el fin de evitar accidentes o daños en el equipo.
- La operación del generador debe efectuarse en un lugar situado a al menos un metro de distancia de edificios u otros equipos.
- La operación del generador debe efectuarse sobre una superficie horizontal. La inclinación de la unidad podría provocar el vertido del combustible.
- Es necesario conocer perfectamente el procedimiento a seguir para apagar el generador rápidamente, así como todas las operaciones de control de los componentes. No opere nunca el motor si no dispone de las instrucciones correctas.
 - Los niños y los animales domésticos deben mantenerse alejados del área de operación.

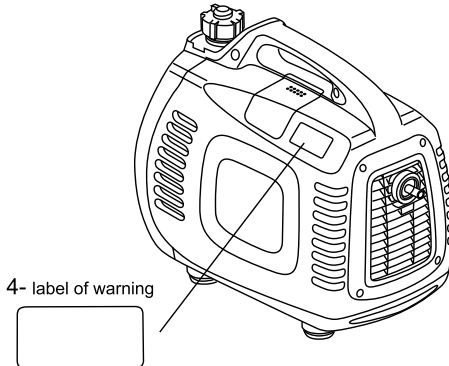
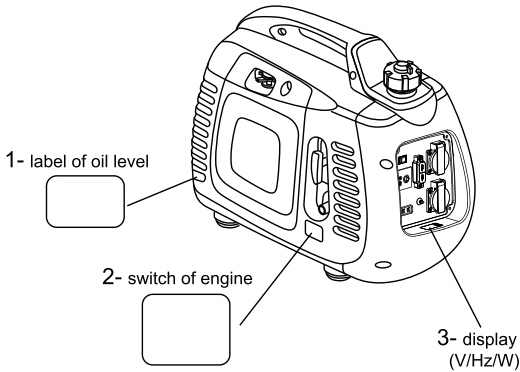
***INVERTER* Generator - PMi 2000**

- Cuando el motor esté en funcionamiento, es necesario mantenerse alejado de las piezas giratorias.
- La operación incorrecta del generador implica un peligro latente, por lo que no debe operarse manualmente.
- No opere el generador en condiciones de lluvia o nieve con el fin de evitar que se moje.

INVERTER Generator - PMi 2000

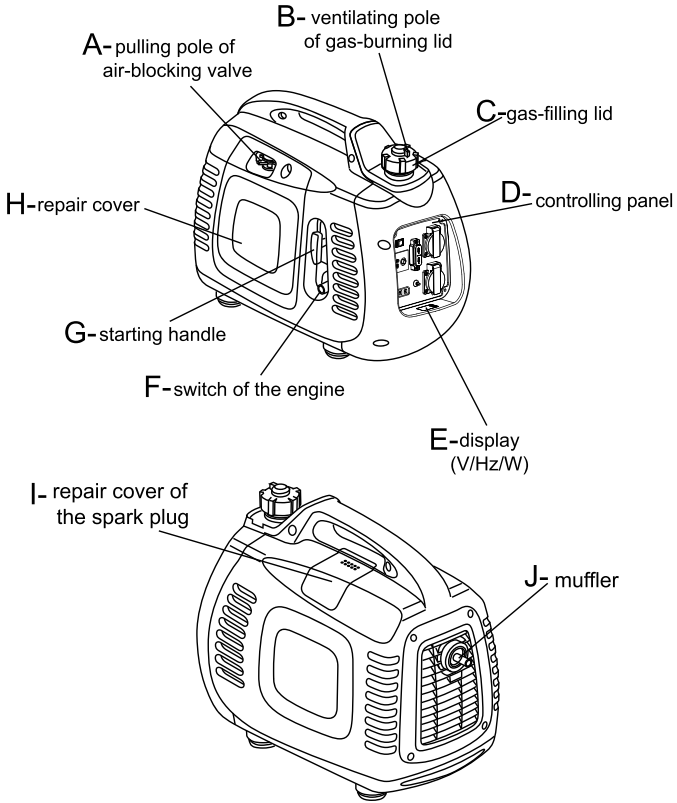
2. Posición de las Etiquetas de Seguridad

Estas etiquetas le advierten acerca de los peligros latentes que podrían causar accidentes graves, incluyendo la muerte. Lea cuidadosamente el texto de las etiquetas, las advertencias de seguridad y las notas ofrecidas en esta guía. Si las etiquetas se hubieran desprendido o no fueran legibles, póngase en contacto con el distribuidor de la unidad para obtener un reemplazo de las mismas.



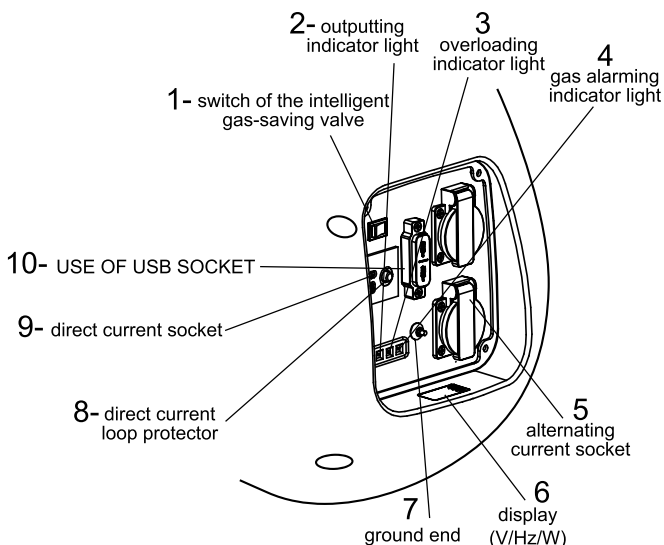
INVERTER Generator - PMi 2000

3. Identificación de los Componentes



INVERTER Generator - PMi 2000

Panel de Control:



Atención:

Recomendación: La unidad está equipada con una pantalla inteligente: cuando la unidad está en funcionamiento, en ella se muestra el estado del voltaje, la frecuencia y la potencia utilizados por la máquina. Esta función puede resultar de gran utilidad con el fin de evitar la sobrecarga durante la operación de la máquina.

Válvula de ahorro de energía inteligente:

Cuando se desconecta el motor del equipo eléctrico, la velocidad del generador se reducirá automáticamente. Cuando se conecte el equipo, la carga eléctrica hará que el generador vuelva a una velocidad de rotación adecuada. Este sistema se utiliza con el fin de reducir el consumo de gasolina durante la operación.

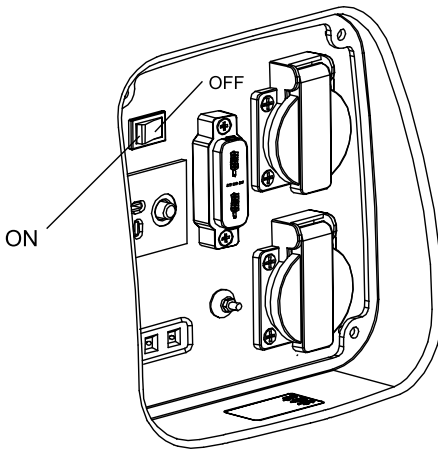
INVERTER Generator - PMi 2000

Advertencia

- Cuando sea necesario desconectar el equipo eléctrico de la alimentación eléctrica, el sistema de ahorro de gasolina inteligente no podrá funcionar de manera efectiva.
- Cuando se conecte el generador con una carga eléctrica elevada, desconecte la válvula de ahorro de gasolina inteligente con el fin de minimizar la variación de la presión media.
- Cuando se utilice la salida de CC, desconecte la válvula de ahorro de gasolina inteligente.

Cierre:

Significa que el sistema de ahorro de gasolina inteligente está cerrado, manteniéndose la velocidad de rotación del generador en un nivel más elevado que la velocidad de rotación estándar.



4. Comprobación Previa a la Operación

Advertencia

- Inspeccione el generador y asegúrese de que esté situado sobre una superficie horizontal y de que el motor esté apagado.

1. Comprobación del nivel de aceite

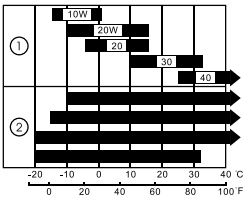
Advertencia

- El uso de aceite sin depurador o de aceite para motores de dos tiempos podría acortar la vida de servicio del generador.

Utilice aceite que contenga una gran cantidad de depurador o aceite para motores de cuatro tiempos de gran calidad. El nivel de calidad debe ajustarse a o superar el nivel SG/SF requerido por el fabricante americano y estipulado por el Instituto Americano del Petróleo.

Seleccione un aceite de motor con el grado de viscosidad adecuado en base a la temperatura media del área geográfica en cuestión.

Rank of SAE ropcy degree SAE



① 1 mono- ropcy degree

② 2 multi- ropcy degree

Environmental temperature

Retire la varilla medidora del nivel de aceite, límpiela con un trapo limpio e introdúzcala en la boca de llenado de gasolina con el fin de comprobar el nivel de aceite. Tenga cuidado de no dejar caer la varilla en su interior.

Si el nivel de aceite de la máquina se sitúa por debajo de la parte inferior de la varilla medidora de aceite, añada el aceite de motor recomendado por la boca de llenado de gasolina.

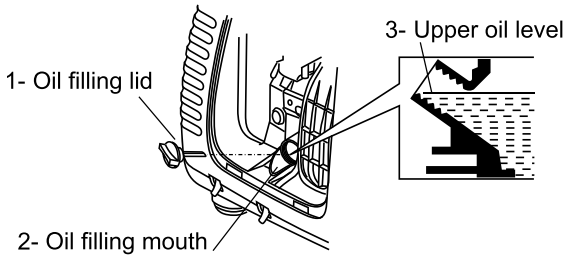
Advertencia

INVERTER Generator - PMi 2000

- Si se hace operar el motor con falta de aceite, podría resultar seriamente dañado.

Nota:

El sistema de alarma de nivel de aceite desconecta el motor antes de que el nivel se sitúe por debajo de la línea de seguridad. No obstante, con el fin de evitar las inconveniencias causadas por una parada inesperada de la máquina, le recomendamos comprobar el nivel de aceite con regularidad.



2. Comprobación del nivel de gasolina:

Utilice gasolina para vehículos. (Es mejor utilizar gasolina sin plomo o con un contenido reducido de este metal con el fin de reducir la acumulación de carboncillo en la cámara de combustión).

Si el nivel de gasolina fuera demasiado bajo, añada gasolina al depósito de gasolina hasta alcanzar el nivel necesario.

No utilice nunca una mezcla de aceite para maquinaria y gasolina o gasolina sin depurar.

Es necesario impedir la entrada de suciedad, polvo o agua en el depósito de gasolina.

Atornille la tapa de llenado de gasolina después de rellenar el depósito.

Advertencia

- Bajo ciertas condiciones, la gasolina presenta un gran riesgo de combustión o explosión.
- La adición de combustible al generador debe efectuarse en un área bien ventilada, apagando el motor antes de proceder el llenado. Queda estrictamente prohibido fumar en las proximidades tanto del área de llenado de gasolina como de las partes del generador que contengan gasolina.
- Es necesario evitar los vertidos de gasolina fuera del depósito de gasolina

INVERTER Generator - PMi 2000

(la boca de llenado de gasolina debe estar libre de gasolina). Atornille la tapa de llenado de gasolina después de rellenar el depósito.

- Es necesario evitar el vertido de gasolina al rellenar el generador. Los vertidos o los vapores de gasolina podrían arder. Si se produjera algún vertido, es necesario asegurarse de que el área del mismo se haya secado por completo antes de arrancar el motor.
- Evite la exposición prolongada o repetida de la piel a la gasolina. No permita que los niños entren en contacto con la gasolina.

Gasolina con contenido de alcohol

Si decide utilizar gasolina con contenido de alcohol (bioetanol), su nivel de octanos no puede ser inferior al recomendado por el fabricante. Hay dos tipos de gasolina con contenido de alcohol: uno de ellos contiene etanol, y el otro metanol.

No utilice un tipo de gasolina con un contenido de alcohol superior al **10% de etanol**, o un tipo que no contenga disolvente y antiséptico en metanol.

Si bien el metanol contiene disolvente y antiséptico, no utilice gasolina con un contenido de alcohol superior al 5% de **metanol**.

ADVERTENCIA:

- Los daños del sistema de combustión de gasolina y los problemas de rendimiento resultantes del uso de la gasolina con contenido de alcohol no están cubiertos por la garantía. La garantía del fabricante no cubre el uso de combustible con contenido de metanol, ya que su aplicabilidad no se ha confirmado.
- Antes de adquirir gasolina en gasolineras con las que no esté familiarizado, averigüe si la gasolina en cuestión contiene alcohol o no. Si la gasolina contuviera alcohol, confirme el tipo y la proporción del mismo. Si la gasolina que utilice contuviera alcohol, o pudiera contenerlo, y se produjeran situaciones inesperadas durante la operación del equipo, comience a utilizar gasolina sin alcohol.

3. Comprobación del filtro de aire:

Inspeccione el núcleo del filtro de aire, asegurándose de que esté limpio y su funcionamiento sea correcto.

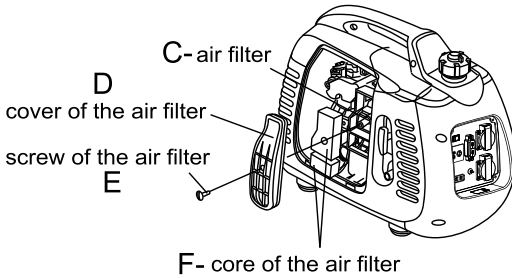
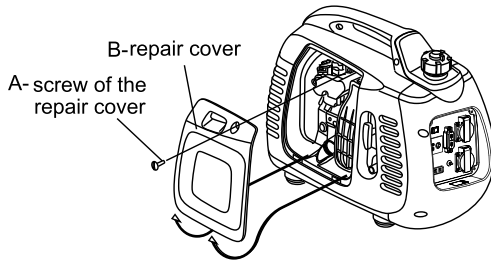
Retire la tapa para reparaciones, afloje el tornillo de la tapa del filtro de aire y retire la tapa del filtro de aire para inspeccionar el núcleo.

Limpie o cambie el núcleo si fuera necesario.

Consulta

No opere el motor sin el filtro de aire, ya que en ese caso se produciría la entrada de suciedad a través del carburador, lo que desgastaría rápidamente el motor.

INVERTER Generator - PMi 2000



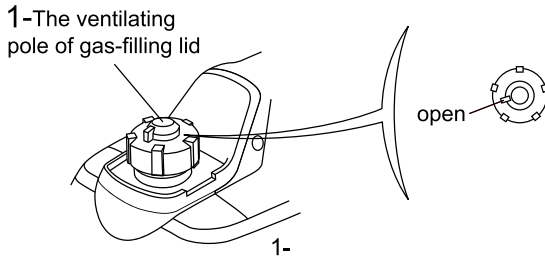
INVERTER Generator - PMi 2000

5. Arranque del motor

Antes de arrancar el motor, desconecte la carga de la toma de corriente alterna del motor.

- a) Gire totalmente la válvula en el sentido de las agujas del reloj hasta la posición "ABIERTA".

Nota: Cuando sea preciso transportar el motor, es necesario girar la varilla de ventilación de la tapa de la cámara de combustión de gasolina a la posición "CERRADA".



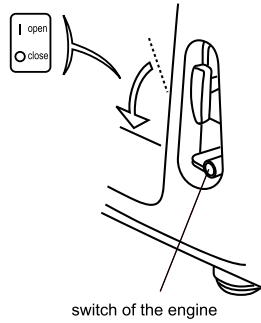
Atención: en caso de usar el grupo por primera vez, o en entornos fríos, gire el selector del tapón del depósito a la posición OFF.

Tira de la bomba situada en el tapón hasta el tope y bombea hacia abajo 3-4 veces. (Este bombeo dará presión al circuito del combustible para que la gasolina llegue hasta el carburador, acelerando el arranque del generador)



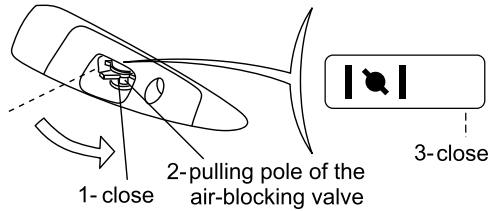
INVERTER Generator - PMi 2000

- b) Girar el interruptor del motor a la posición “ABIERTA”.



- c) Girar la varilla de arrastre de la válvula de bloqueo de aire a la posición “CERRADA”.

Nota: Cuando el motor esté caliente o la temperatura ambiente sea relativamente elevada, no utilice la palanca de starter.

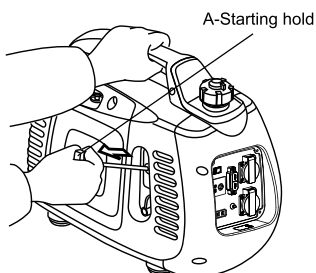


- d) Tire ligeramente del cordón de arranque (Fig. A) hasta que pueda sentir la presión y, a continuación, suéltelo lentamente.

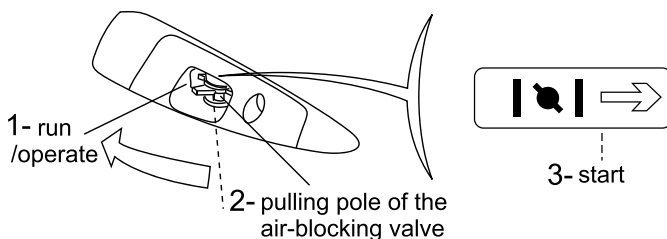
Consulta

No suelte el cordón de arranque (Fig. A) bruscamente, sino mediante un movimiento controlado con la mano.

INVERTER Generator - PMi 2000



- e) Cuando el motor se esté calentando, gire de la varilla de arrastre de la válvula de bloqueo de aire a la posición de “ARRANQUE”.



Atención: asegúrese de poner en posición ON el selector del tapón de bombeo; de lo contrario un uso prolongado del generador producirá una falta de aire, provocando la parada del generador.

Atención:

- Si no fuera posible volver a poner el motor en marcha después de que se hubiera parado, compruebe en primer lugar el nivel de aceite.

Operación a grandes altitudes

A grandes altitudes, la mezcla de gasolina y aire del carburador estándar adquirirá una densidad excesiva, provocando una disminución del rendimiento de las funciones del motor y un incremento del consumo de gasolina. Para mejorar el rendimiento del motor en área de gran altitud, pueden efectuarse ajustes especiales en el carburador. Si se utiliza el motor a una altitud superior a 1.500 metros (5.000 pies), solicite a un agente autorizado que modifique el

***INVERTER* Generator - PMi 2000**

carburador.

Incluso si se utiliza la boquilla adecuada, la potencia del motor seguirá reduciéndose un 3,5% por cada 300 metros (1.000 pies) de incremento de la altitud. Si no se efectúan estos ajustes, la influencia de la altitud sobre la potencia será mayor.

Consulta

La boquilla del motor está diseñada para áreas de gran altitud. Si se utiliza en áreas de baja altitud, la potencia de salida podría reducirse y el motor podría calentarse excesivamente e incluso sufrir daños importantes debido a que la proporción entre el aire y la gasolina en combustión es demasiado baja.

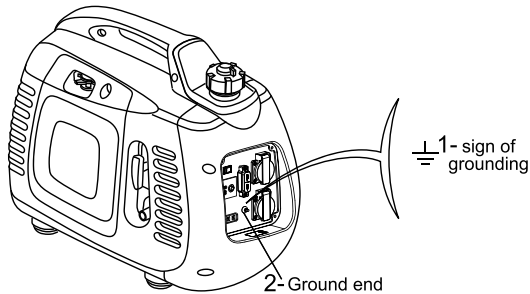
INVERTER Generator - PMi 2000

6. Uso del Motor

Si todas las instalaciones conectadas se han puesto a tierra, asegúrese de poner el motor a tierra.

Advertencia

- Con el fin de evitar las sacudidas eléctricas resultantes de la operación incorrecta, es necesario poner el motor a tierra. El puerto de tierra del motor y la fuente de tierra externa se conectan mediante un cable de gran grosor.
- Como fuente de alimentación eléctrica de reserva para edificios, la conexión entre el generador y otros sistemas de alimentación eléctrica debe ser efectuada por electricistas profesionales. La operación también debe efectuarse conforme a las normativas eléctricas y a la legislación relevante. En caso contrario, la corriente del motor podría dirigirse hacia el circuito público. En este caso, si los trabajadores de la compañía eléctrica u otras personas tocan el cable cuando éste estuviera conduciendo electricidad, podrían sufrir una sacudida eléctrica, con las consiguientes lesiones personales e incluso la muerte. Por otra parte, cuando se almacene electricidad de la red pública, el motor podría arder, explotar o provocar un incendio en el sistema de alimentación eléctrica del edificio.



Consulta

- No supere la potencia nominal. Es necesario tener en cuenta el vatiaje total de los equipos eléctricos conectados.
- No supere el límite de corriente fijo de la toma.

INVERTER Generator - PMi 2000

- No conecte el motor al circuito de la vivienda, ya que en ese caso el motor o el circuito de la vivienda resultarían dañados.
- No modifique el motor con el fin utilizarlo para otros fines para los que no esté diseñado.

Es necesario cumplir las siguientes instrucciones:

- No alargue la tubería de ventilación en base a su propio criterio.
- Si fuera necesario alargar el cable, utilice cable blando con cubierta de caucho (de acuerdo con IEC245 u otras normas equivalentes).
 - Los requisitos de longitud del cable alargado son los siguientes: 60 metros para 1,5 milímetros cuadrados uno y 100 metros para 2,5 milímetros cuadrados uno. Si el cable fuera demasiado largo, la resistencia adquirirá tal magnitud que se producirá una reducción de la energía eléctrica aplicable.
 - Mantenga el generador alejado de otros cables e hilos, como por ejemplo de las circuiterías de alimentación eléctrica comercial.

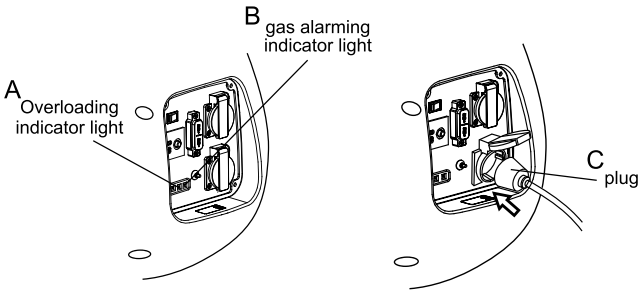
Advertencia:

- La fuente de corriente alterna (CA) y la fuente de corriente continua (CC) pueden utilizarse al mismo tiempo. Si desea utilizar la toma de corriente alterna (CA) y la toma de corriente continua (CC) al mismo tiempo, asegúrese de que la energía eléctrica total no supere la suma de la corriente alterna y continua.
 - La potencia de arranque de la mayoría de los equipos eléctricos es más elevada que la potencia nominal.

Uso de corriente alterna (CA)

Arranque el motor y compruebe que la luz indicadora (verde) esté encendida. Asegúrese de que se haya desconectado el interruptor del equipo eléctrico que vaya a utilizarse y, a continuación, enchufe el generador al equipo eléctrico.

INVERTER Generator - PMi 2000



Consulta

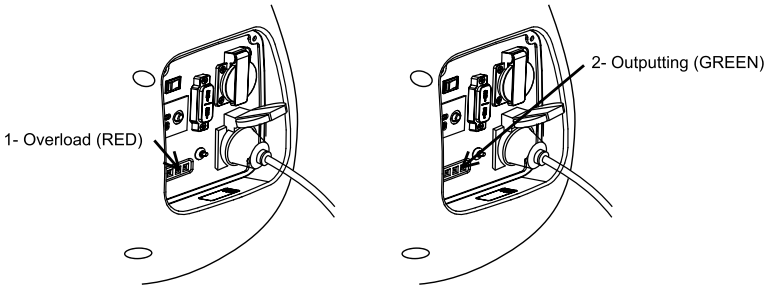
- Cuando vaya a conectarse el equipo eléctrico al generador, asegúrese de que el funcionamiento del equipo sea correcto antes de efectuar la conexión. Si el funcionamiento del equipo fuera anormal, la velocidad se redujera o la máquina se detuviera repentinamente, es necesario apagar el motor inmediatamente, desconectarlo del circuito y examinarlo con el fin de localizar la avería.

Las luces indicadoras de salida y de sobrecarga

Si el generador está en buenas condiciones operativas, la luz indicadora de salida (verde) estará iluminada. Si el generador experimenta una sobrecarga (más de potencia continua), o en caso de cortocircuito en el interior de la máquina eléctrica a la que esté conectado, la luz indicadora de salida (verde) se apagará, mientras que la luz indicadora de sobrecarga (roja) se iluminará. Si la luz indicadora roja está encendida, se cortará la corriente al equipo eléctrico conectado. Si la luz indicadora roja se enciende, es necesario apagar el motor y comprobar la causa de la sobrecarga.

Antes de conectar el cable al generador, compruebe que esté en buenas condiciones operativas y si su nivel de potencia eléctrica supera la capacidad del generador o no. A continuación, conecte el cable del equipo eléctrico y ponga el generador en marcha.

INVERTER Generator - PMi 2000



Advertencia:

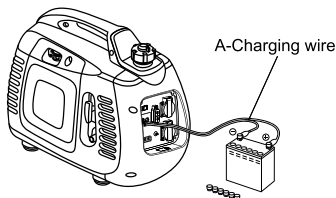
Una vez se ha puesto en marcha el generador, la luz roja y la luz verde podrían iluminarse al mismo tiempo. Si la luz roja se apaga, no hay ningún problema. Si la luz roja siguiera iluminada, consulte con el distribuidor del generador.

Uso de la corriente continua

La toma de corriente continua (CC) sólo es aplicable para cargar la batería (12V).

Atención:

- Durante la operación de corriente continua, gire la válvula de ahorro de gasolina inteligente a la posición "CERRADA".
- En primer lugar, conecte el cable de carga (Fig. A) a la toma de corriente continua del generador.
- A continuación, conéctelo al lado de conexión de la batería.
- Arranque el motor.



INVERTER Generator - PMi 2000

Advertencia

- Con el fin de evitar la aparición de chispas alrededor de la batería, conecte primero el hilo de carga al generador y, a continuación, a la batería. La retirada del hilo debe comenzarse por la batería.
- Antes de conectar el hilo de carga a la batería instalada en el vehículo, desconecte el hilo de tierra de la batería. No conecte el hilo de tierra de la batería hasta que se haya retirado el cable de carga. Esta operación ayudará a evitar cortocircuitos o chispas en el caso de que se pusiera involuntariamente en contacto el lado de conexión de la batería con el chasis o el bastidor del vehículo.

Consulta

- No intente arrancar el motor del vehículo mientras el generador siga conectado a las baterías, ya que el generador resultaría dañado.
- El polo positivo del cable de carga no debe conectarse al polo negativo de la batería. Es necesario evitar errores de polaridad con el cable de carga, ya que podrían tener graves consecuencias, incluyendo daños en el generador y en la batería.

Advertencia

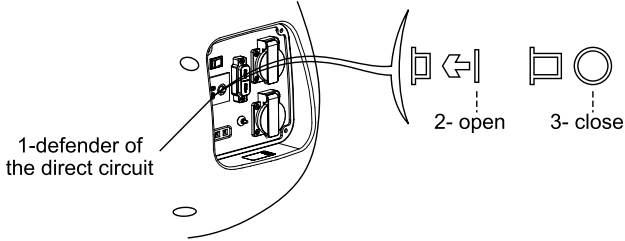
- La batería liberará gasolina potencialmente explosiva, por lo que debe mantenerse alejada de chispas, llamas o cigarrillos. La carga de la batería debe efectuarse en un área bien ventilada.
- La batería contiene ácido (celda de electrolito). El contacto de la piel o los ojos con el electrolito provocará quemaduras. Utilice ropas y máscara de protección.
 - ↘ En caso de salpicaduras de electrolito sobre la piel, lavar inmediatamente el área afectada con agua.
 - ↘ En caso de salpicaduras de electrolito en los ojos, lavarlos con agua abundante durante al menos 15 minutos y solicitar atención médica inmediatamente.
 - El electrolito es tóxico.
 - ↘ En caso de ingestión, es necesario beber inmediatamente una gran cantidad de agua y solicitar atención médica inmediatamente.
 - Mantener a los niños alejados del electrolito.

Atención

- La toma de corriente continua puede utilizarse mientras se utiliza corriente alterna.

INVERTER Generator - PMi 2000

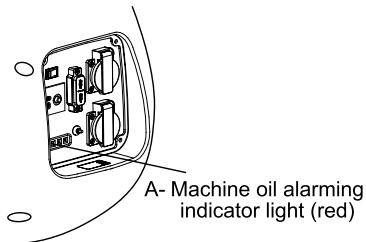
- La sobrecarga del circuito de corriente continua podría provocar el disparo de la protección de corriente continua. (El interruptor pulsado vuelve a su posición inicial por resorte). En este caso, espere algunos minutos y pulse de nuevo el interruptor para reiniciar la operación.



Sistema de alarma de nivel de aceite bajo

El sistema de alarma de nivel de aceite bajo está diseñado para evitar que el motor resulte dañado como resultado de la falta de aceite en el cárter. Antes de que el nivel de aceite del cárter se sitúe por debajo de la línea de seguridad, el sistema de alarma de presión de aceite baja apagará el motor automáticamente. (El interruptor del motor seguirá en la posición "ABIERTA").

Después de que el sistema de alarma de presión de aceite baja haya cerrado el motor, si se opera el motor de arranque de nuevo, la luz de alarma de presión de aceite baja (Fig. A) se apagará y el motor no se pondrá en marcha. En este caso, añada aceite de motor.



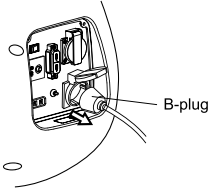
INVERTER Generator - PMi 2000

7. Apagado del Motor

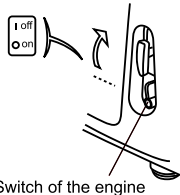
Si desea parar el motor urgentemente, gire el interruptor del motor a la posición "CERRADA".

Uso normal:

1. Desconecte todos los equipos conectados y retire el enchufe (Fig. B).

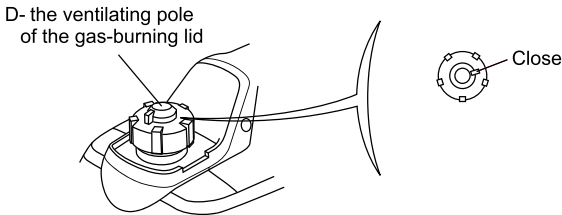


2. Gire el interruptor (Fig. C) del enchufe a la posición de "OFF".



C- Switch of the engine

3. Una vez el motor se haya enfriado completamente, gire la varilla de ventilación de la tapa de la cámara de combustión de gasolina en el sentido contrario a las agujas del reloj hasta la posición "CERRADA" (Fig. D).



Consulta

- Cuando apague, transporte y almacene el motor, asegúrese de que los interruptores de las varilla de ventilación de la tapa de la cámara de combustión de gasolina y del motor estén en la posición ""CERRADA".

7. Mantenimiento

El propósito del plan de mantenimiento y ajuste consiste en mantener el generador en las mejores condiciones operativas posibles. Efectúe la inspección y el mantenimiento del generador de acuerdo con el plan mostrado en la tabla siguiente.

Advertencia

- Apague el motor antes de efectuar cualquier tipo de reparación. Si fuera necesario que el motor estuviera en funcionamiento durante la reparación, asegúrese de que el área de operación esté bien ventilada, ya que los gases de escape contienen CO₂ tóxico.

Consulta

- Utilice sólo componentes originales para la unidad PMi 2000 u otros componentes sustitutos de la misma calidad para las reparaciones y el mantenimiento. El uso de componentes no adecuados provocará daños en el generador.

Tabla del plan de mantenimiento

Efectúe el mantenimiento del generador al cumplirse los plazos de meses u horas especificados.

Es correcto aplicar plazos en meses o en horas.

INVERTER Generator - PMi 2000

Elemento		Uso en una ocasión	El primer mes o 20 horas		Cada seis meses o 100 horas	Cada año o 200 horas
Tiempo de mantenimiento de los diversos elementos por etapas (1)						
Aceite para maquinaria	Comprobar	O				
	Cambiar		O		O	
Filtro de aire	Comprobar	O				
	Limpiar			O(1)		
Bujía	Limpieza - ajuste				O	
	Cambiar					O
Cámara de combustión	Limpiar	Cada 300 horas (2)				
Espacio libre de aire-puerta	Comprobación - ajuste					O(2)
Depósito y filtro de gasolina	Limpiar				O(2)	
Ruta de gasolina	Comprobar	Cada 2 años. Cambiar (2) si fuera necesario.				

Nota:

1. Si se utiliza en lugares en los que haya suciedad, el mantenimiento del generador deberá efectuarse con mayor frecuencia.
2. A menos que el usuario disponga de las herramientas adecuadas o tenga un gran conocimiento de la máquina, el mantenimiento de los elementos anteriores debe ser efectuado por un técnico autorizado. Consulte el manual.
3. Cuando se utilice para fines empresariales, es necesario anotar las horas de operación del generador con el fin de confirmar la aplicación del ciclo de mantenimiento correcto.

INVERTER Generator - PMi 2000

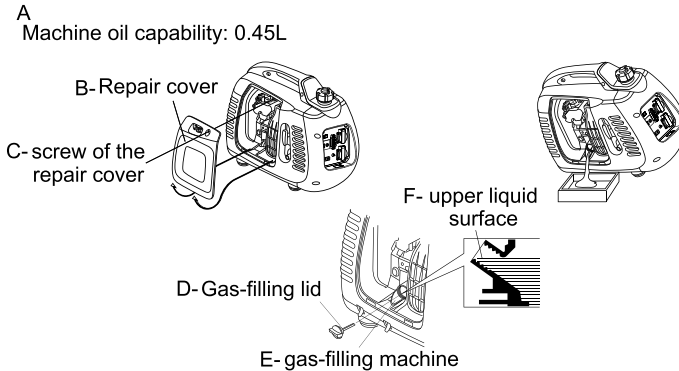
3. Cambio de aceite

Vacíe rápida y completamente el aceite de maquinaria mientras el motor todavía esté caliente.

Consulta

Antes de vaciar el aceite, asegúrese de que los interruptores de la varilla de ventilación de la tapa de la cámara de combustión de gasolina y del motor estén en la posición "CERRADA".

1. Afloje el tornillo y retire la tapa para reparaciones.
2. Retire la tapa de llenado de gasolina.
3. Vacíe completamente el aceite sucio a un recipiente adecuado.
4. Añada aceite de maquinaria recomendado y compruebe el nivel.
5. Instale de nuevo la tapa para reparaciones y atornille el tornillo.



Lávese las manos con jabón después de manipular el aceite.

Atención

- Con el fin de satisfacer los requisitos relativos a la protección medioambiental, le recomendamos introducir el aceite usado en contenedores sellados y enviarlos a un centro de reparaciones o de reciclaje local. No se deshaga del aceite vertiéndolo en tierra o dejándolo en la basura.

3. Mantenimiento del filtro de aire

Si el filtro de aire está sucio, impedirá la entrada de aire al carburador. Con el fin de evitar fallos del carburador, efectúe el mantenimiento regular del filtro de aire.

INVERTER Generator - PMi 2000

Si se utiliza el generador en lugares en los que haya mucha suciedad, será necesario incrementar la frecuencia del mantenimiento.

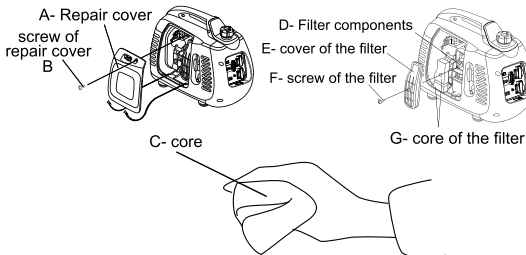
Advertencia

▪ No utilice gasolina o disolvente con un punto de combustión bajo para limpiar el motor, ya que, bajo ciertas condiciones, estas sustancias pueden arder y generar explosiones con gran facilidad.

Consulta

▪ No opere el generador sin el filtro de aire, ya que esto aceleraría el desgaste del motor.

1. Afloje el tornillo de la tapa para reparaciones y retire esta tapa.
2. Afloje el tornillo de la tapa del filtro de aire y retire esta tapa.
3. Limpie el núcleo del filtro de aire con un tipo de disolvente que no sea inflamable o tenga un punto de combustión alto y, a continuación, ventile el núcleo.
4. Limpie el núcleo con aceite de maquinaria limpio y elimine el exceso de aceite.
5. Instale de nuevo el núcleo del filtro de aire y su tapa y atornille el tornillo de la tapa.
6. Instale de nuevo la tapa para reparaciones y atornille el tornillo.



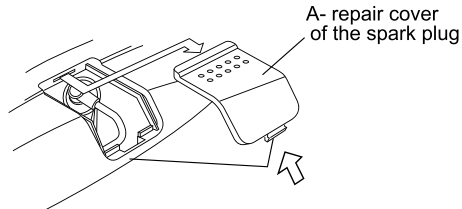
INVERTER Generator - PMi 2000

3. Mantenimiento de la bujía

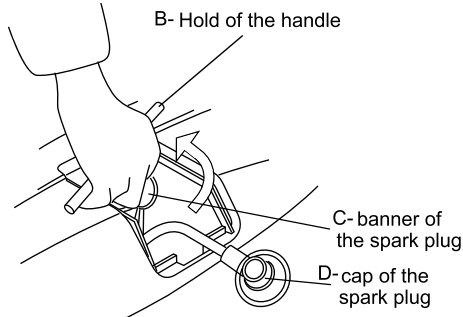
Bujía recomendada: A5RC o NGK R7HSA

Con el fin de asegurar el funcionamiento correcto del motor, la luz de la bujía debe ser la correcta y no debe haber ninguna acumulación de carboncillo.

1. Retire la tapa para reparaciones de la bujía (Fig. A).

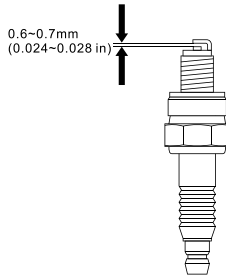


2. Retire el tapón de la bujía.
3. Limpie la suciedad alrededor de la base de la bujía.
4. Desmonte la bujía con una llave.



5. Efectúe una inspección visual de la bujía. Si el aislamiento estuviera agrietado o fragmentado, es necesario desechar la bujía. Si fuera necesario seguir utilizando la bujía vieja, es preciso limpiarla con un cepillo.
6. Mida la luz de la bujía con un instrumento adecuado. Las dimensiones de la luz deben ser de 0,6 mm \pm 0,7 mm.

INVERTER Generator - PMi 2000



7. Instale cuidadosamente la bujía con la mano. Es necesario tener cuidado para no solapar la rosca del tornillo.
8. Tras instalar manualmente una nueva bujía, atornillela media vuelta con una llave con el fin de presionar firmemente la arandela. Si se instala una bujía vieja, tan sólo es necesario atornillarla de un octavo a un cuarto de vuelta después de instalarla.
9. Instale de nuevo la tapa para reparaciones de la bujía.
10. Instale de nuevo la tapa para reparaciones de la bujía.

Consulta

- Es necesario fijar la bujía firmemente, ya que en caso contrario alcanzará temperaturas muy elevadas y provocará daños en el generador.
- No utilice bujías cuyo intervalo de medición térmica no sea el adecuado.

8. Transporte / Almacenamiento

Con el fin de evitar fugas de aceite del generador durante el transporte o el almacenamiento temporal, asegúrese de apagar el generador, manteniéndolo en posición vertical. Una vez el motor se haya enfriado completamente, gire totalmente la varilla de ventilación de la tapa de llenado de gasolina hasta la posición "CERRADA".

Advertencia

- Durante el transporte del generador:
No permita los vertidos de gasolina del depósito de gasolina. (No debe haber gasolina en la parte superior del depósito).
- Cuando se coloque el generador sobre un vehículo, no opere el motor. Es necesario descargar el generador del vehículo y operarlo en una zona bien ventilada.
- Durante el transporte del generador al vehículo, es necesario evitar la exposición del generador a la luz solar. Si se coloca el generador en un contenedor cerrado durante un período de tiempo prolongado, las elevadas temperaturas alcanzadas en su interior podrían calentar la gasolina excesivamente, con el consiguiente riesgo de incendio.
- El vehículo que transporte el generador no debe circular por carreteras de pavimento irregular o con baches durante períodos prolongados. Si fuera necesario circular por carreteras en estas condiciones, es necesario vaciar totalmente la gasolina del depósito de gasolina previamente.

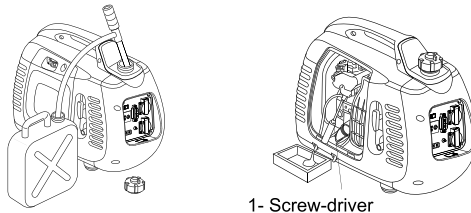
Antes de almacenar el generador durante períodos de tiempo prolongados, es necesario:

Asegurarse de que el área de almacenamiento esté limpia y seca.

2 Vaciar totalmente la gasolina.

Advertencia

- Bajo ciertas condiciones, la gasolina presenta un gran riesgo de combustión o explosión.
- Nunca debe haber vapores o llamas cerca de la gasolina.

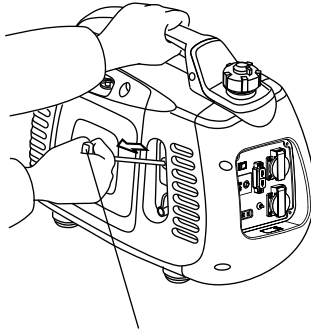


INVERTER Generator - PMi 2000

- A. Vacíe totalmente la gasolina del depósito de gasolina a un recipiente adecuado.
- B. Gire el interruptor del motor a la posición "CERRADA". Retire el tornillo de vaciado de aceite (Fig. 1) del carburador y vacíe la gasolina de su interior a un recipiente adecuado.
- C. Atornille el tornillo de vaciado de aceite en la tapa de la bujía. Tire del cordón de arranque tres o cuatro veces y vacíe la gasolina de la bomba de chorro de aceite.
- D. Gire el interruptor del motor a la posición "CERRADA". A continuación, atornille firmemente el tornillo de vaciado de aceite.
- E. Instale de nuevo el tapón de la bujía en la bujía.

3. Cambio del aceite de maquinaria

4. Retire la bujía y añada una cucharada grande de aceite de maquinaria limpio al depósito de gasolina. Haga girar el motor varias veces para obtener una distribución uniforme del aceite. Instale de nuevo la bujía.
5. Tire lentamente del cordón de arranque (Fig. 2) hasta que pueda sentir una cierta resistencia. En este momento el pistón alcanza la carrera comprimida y las válvulas de admisión y de salida se cierran. El almacenamiento del generador en estas condiciones contribuirá a evitar la oxidación del interior de la máquina.



2- Starting hold

9. Comprobación y Reparación de Averías

Si no fuera posible arrancar el motor:

¿Queda gasolina en el depósito de gasolina? → Si la respuesta es negativa, añada gasolina al depósito de gasolina.

↓sí

¿Está el interruptor del generador en la posición "abierta"? → Si la respuesta es negativa, encienda el motor.

↓sí

¿Hay bastante aceite en el motor? → Si la respuesta es negativa, añada el aceite necesario.

↓sí

¿Hay chispas fuera de la bujía? → Si la respuesta es negativa, cambie la bujía → Si la respuesta es negativa, envíe el generador a un agente autorizado.

Advertencia

Asegúrese de que no haya ningún vertido de gasolina en la bujía. El vertido de gasolina conlleva un riesgo de incendio.

Comprobación:

- 1 Retire la bujía y limpie la suciedad alrededor de la misma.
- 2 Retire la bujía y colóquela en el interior de su tapa.
- 3 Ponga a tierra el polo lateral de la tapa del cilindro de aire.
- 4 Cuando tire del cordón de arranque, deben brotar chispas de la luz.

↓sí

Si siguiera no siendo posible arrancar el motor, envíelo a un agente autorizado.

Si no fuera posible arrancar el motor:

¿Se ha iluminado la luz indicadora de salida? → Si la respuesta es negativa, añadaaceite al depósito de aceite

↓no

¿Se ha iluminado la luz indicadora de sobrecarga?

↓ No

¿Presentan algún fallo las instalaciones o equipos eléctricos? → Si la respuesta es negativa, envíe el generador a un agente autorizado.

No hay alimentación eléctrica en la toma de corriente continua:

¿Está abierta la protección del circuito de corriente continua? → Si la respuesta es negativa, abra la protección del circuito de corriente continua.

↓

→→→→→ Si la respuesta es afirmativa, envíe el generador a un agente autorizado.

INVERTER Generator - PMi 2000

10. Especificaciones Técnicas

Tamaño y peso

- modelo PMi 2000
- longitud x anchura x altura (mm) 555 x 305 x 460
- peso neto (kg) 22

Motor

- modelo 160F
- tipo de motor de 4 tiempos,
- cantidad de escape (diámetro de la carrera del cilindro*) 60*40 mm
- proporción de compresión 8.8:1
- velocidad de giro 3900 RPM (cierre del acelerógrafo inteligente)
- sistema de enfriamiento aire frío compulsivo
- sistema de encendido transistor
- capacidad de gasolina 0,4 L
- capacidad del depósito de gasolina 6.3 L
- bujía A5RC
- nivel acústico (ISO 8528-10) 64 db/7m
- desplazamiento 113 cc

Generador

- frecuencia preestablecida (Hz) 50 60
- presión nominal (V) 230 120 240
- corriente nominal (A) 7,4 14,2 7,08
- potencia de salida nominal (KVA) 1.700 w
- cantidad máxima de potencia de salida 2.000 w
- salida de corriente directa 12 V 6 A
- instalación de circuito abierto eléctrico sí
- nivel acústico (carga cero ~ carga completa) / 7m 68.5db/7m



Informazioni per il consumatore

Consumer information

PR INDUSTRIAL s.r.l.

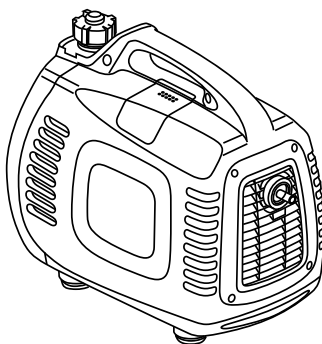
Loc. Il Piano

53031 Casole d'Elsa

Siena - Italy

Web: www.pramac.com

Generatore *INVERTER* PMi 2000



Manuale dell'utente

Si prega di leggere il manuale con attenzione prima di usare il generatore. Questa guida contiene indicazioni importanti per la sicurezza di funzionamento.

Introduzione

Grazie per avere acquistato il Generatore INVERTER.

Questo libretto contiene le istruzioni di funzionamento e manutenzione del **PMi 2000**.

Tutti i contenuti del presente libretto sono coerenti con la configurazione del prodotto più recente.

Il fabbricante si riserva il diritto di correggere la presente guida, senza preavviso e senza che ciò comporti alcuna responsabilità da parte sua.

Non è permesso copiare il presente documento senza autorizzazione scritta.

In quanto parte integrante del generatore, la guida deve essere custodita insieme al generatore quando la macchina viene spostata.

Si prega di prestare particolare attenzione alle seguenti parole:

Avvertenza Segnala che, non agendo secondo la guida, si possono causare incidenti seri, con possibili lesioni alle persone.

Attenzione Indica che se viene causato un incidente o l'apparecchiatura viene danneggiata da un'operazione non corretta, si può contattare il rivenditore per porgli quesiti sul generatore.

Nota: Fornisce informazioni utili.

Per un qualsiasi guasto del generatore, o qualsiasi dubbio sul suo funzionamento, consultare il proprio rivenditore.

Avvertenza Fintanto che ci si attiene alle indicazioni della guida, il generatore **PMi 2000** è sicuro e affidabile. Si abbia cura di leggere e comprendere la guida prima di utilizzare l'apparecchio, perché un uso non corretto non abbia a causare incidenti o danni all'attrezzatura.

Per tipi diversi di generatori, le relative guide possono presentare alcune differenze.

***INVERTER* Generator - PMi 2000**

Sommario

1. Sicurezza
2. Posizione delle etichette riguardanti la sicurezza
3. Identificazione dei componenti
4. Controlli prima della messa in funzione
5. Avvio del motore (funzionamento ad alte quote)
6. Uso
7. Manutenzione del motore
8. Trasporto/immagazzinaggio
9. Esame e riparazione dei guasti
10. Specifiche tecniche
11. Schema di cablaggio

1. Sicurezza

Per un funzionamento in sicurezza tenere presenti le seguenti avvertenze

Avvertenza

- Utilizzando il generatore **PMi 2000** nei termini indicati dalla guida, il generatore funzionerà in modo sicuro. Si prega di leggere e comprendere la guida prima di utilizzarla, in quanto operazioni effettuate in modo non corretto potrebbero comportare incidenti o danni all'apparecchiatura.

Avvertenza

- I gas di scarico contengono monossido di carbonio (CO), che è altamente tossico. Non utilizzare il generatore in spazi privi di ricambio d'aria. Accertarsi che vi sia sempre aria a sufficienza.

Avvertenza

- La benzina può incendiarsi o esplodere molto facilmente in certe condizioni. Spegnerne il motore prima di fare rifornimento.
- Quando si effettua il rifornimento del motore, tenere lontane le sigarette e le scintille. Effettuare il rifornimento senza soluzione di continuità.
- Ripulire immediatamente la benzina traboccata.

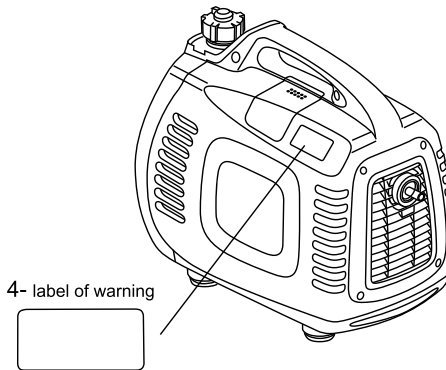
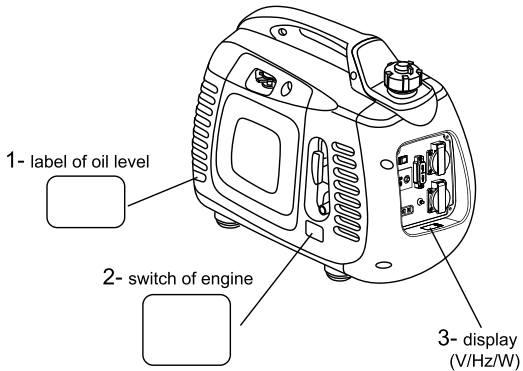
Avvertenza

- Ogni volta che si avvia il motore, controllarlo per evitare incidenti o danni all'attrezzatura.
- Il generatore deve essere fatto funzionare a distanza di almeno un metro da strutture murarie o altre attrezzature.
- Il generatore deve essere fatto funzionare su una superficie orizzontale. Se viene inclinato, potrebbero verificarsi fuoriuscite di benzina.
- Si deve essere perfettamente in grado di spegnere il generatore rapidamente, e occorre padroneggiare tutte le operazioni di controllo dei componenti. Non utilizzare mai il motore senza le istruzioni corrette.
- Bambini e animali domestici devono essere tenuti lontani dall'area delle operazioni.
- Quando il motore è in funzione, tutti devono stare a distanza dalle parti in rotazione.
- Il generatore costituisce un pericolo potenziale se viene fatto funzionare in modo non corretto: pertanto non farlo funzionare a mano.
- Non fare funzionare il generatore sotto la pioggia o sotto la neve, per evitare che si bagni.

INVERTER Generator - PMi 2000

2. Posizione delle etichette relative alla sicurezza

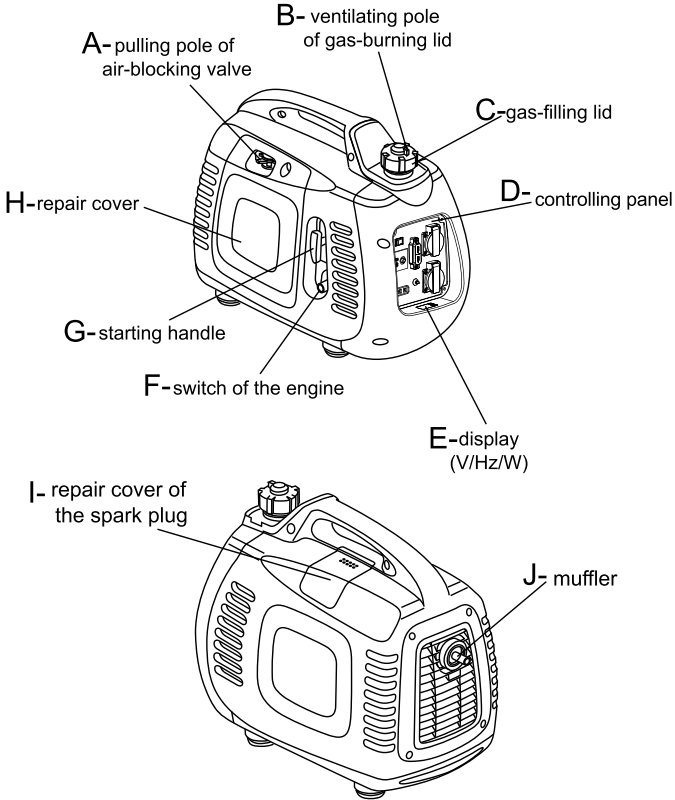
Queste etichette avvertono dei pericoli latenti in grado di causare incidenti gravi comportanti infortuni. Si prega di leggere con attenzione le parole sulle etichette, gli avvertimenti relativi alla sicurezza e le note contenuti nella guida. Se le etichette si sono staccate o sono comunque illeggibili, contattare l'agente di vendita di Powermate by Pramac e farle sostituire.



1- etichetta livello olio	2- interruttore motore
3- display (V/Hz/W)	4- etichetta di avvertenza

INVERTER Generator - PMi 2000

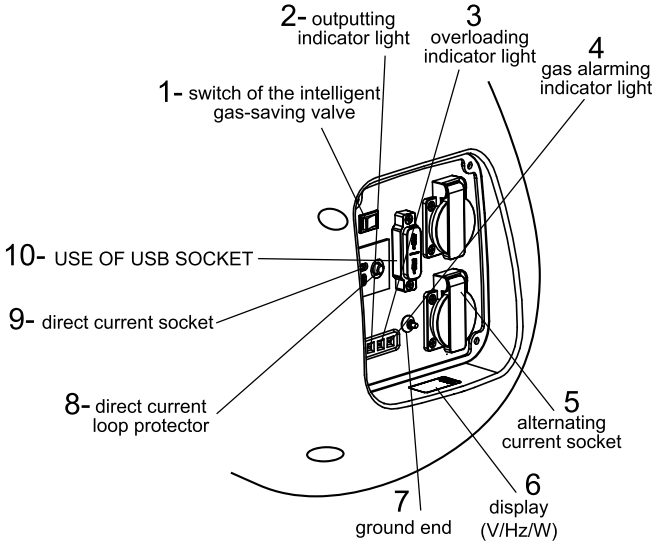
3. Identificatore componenti



A- controllo a trazione della valvola di bloccaggio aria	B- Valvola di ventilazione del tappo bocchettone benzina
C- tappo bocchettone benzina	D- pannello di controllo
E- display (V/Hz/W)	F- interruttore motore
G- starter a strappo	H- coperchio esterno
I- coperchio esterno della candela	J- silenziatore

INVERTER Generator - PMi 2000

Pannello di controllo:



1- interruttore della valvola intelligente di economizzazione benzina	2- luce di indicazione corrente in uscita
3- luce di indicazione sovraccarico	4- luce di indicazione allarme olio
5- presa corrente alternata	6- display (V/Hz/W)
7- estremità di terra	8- protettore circuito corrente continua
9- presa corrente continua	

Attenzione:

La macchina è dotata di display "intelligente": quando la macchina è in funzione, esso visualizza lo stato di tensione, frequenza e potenza della macchina. Può essere utile per evitare sovraccarichi durante l'uso della macchina.

Valvola intelligente di economizzazione benzina:

Quando il motore è disconnesso dall'attrezzatura elettrica, la velocità del generatore rallenta automaticamente. Quando l'apparecchiatura è connessa, il carico elettrico farà sì che il generatore ritorni a uno stato di rotazione appropriato. Questa installazione viene utilizzata per ridurre il consumo di benzina durante il funzionamento.

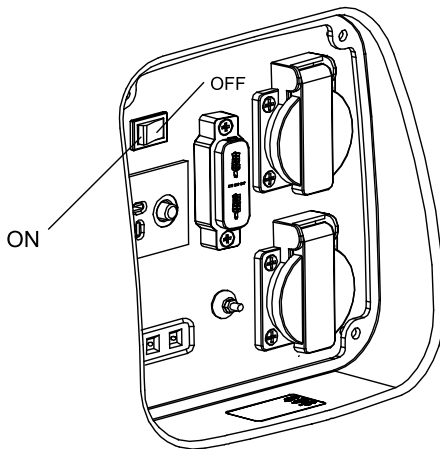
INVERTER Generator - PMi 2000

Avvertenza

- Quando l'apparecchiatura elettrica deve essere disconnessa dall'alimentazione elettrica, il sistema intelligente di economizzazione benzina può non funzionare efficacemente.
- Quando il generatore è connesso con un alto carico elettrico, spegnere la valvola intelligente di economizzazione benzina per minimizzare la variazione di pressione.
- Quando si usa l'uscita DC, spegnere la valvola intelligente di economizzazione benzina.

Close (chiuso):

Significa che il sistema intelligente di economizzazione benzina è chiuso, e la velocità di rotazione del generatore viene mantenuta a un livello più elevato della velocità di rotazione standard.



4. Controllo prima del funzionamento

Avvertenza

- Controllare il generatore, tenerlo su una superficie perfettamente orizzontale e controllare che il motore sia spento.

1. Controllare il livello dell'olio

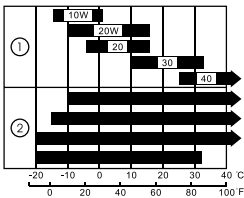
Avvertenza

- L'uso di olio senza additivi detergenti o di olio per motori a due tempi può abbreviare la vita utile di servizio del generatore.

Utilizzare olio contenente un'elevata quantità di additivi detergenti o utilizzare olio di alta qualità per motori a quattro tempi. Il livello di qualità deve raggiungere o superare il livello SG/SF che è richiesto dal produttore statunitense ed è esplicitato dall'American Petroleum Institute.

Scegliere l'olio motore con il grado di viscosità appropriato in base alla temperatura media della regione in cui si vive.

Rank of SAE ropy degree SAE



① 1 mono-ropy degree

② 2 multi-ropy degree

Environmental temperature

Togliere l'astina dell'olio, tergerla con uno straccio pulito e inserirla nel bocchettone di riempimento per controllare il livello dell'olio. Prestare attenzione a non lasciarla cadere dentro.

Se il livello dell'olio motore è al di sotto del livello indicato sull'astina, aggiungere l'olio motore raccomandato nel bocchettone di riempimento.

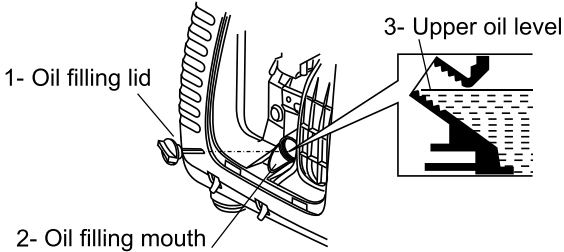
Avvertenza

- Se il motore viene fatto funzionare con un basso livello di olio, può rimanere seriamente danneggiato.

INVERTER Generator - PMi 2000

Nota:

Il sistema di allarme olio spegne il motore prima che il livello dell'olio discenda alla linea di sicurezza. Ma per evitare l'inconveniente causato da un arresto inatteso della macchina, consigliamo di controllare regolarmente il livello olio.



1- tappo bocchettone olio	2- bocchettone olio	3- livello superiore olio
---------------------------	---------------------	---------------------------

2. Controllare il livello della benzina:

Utilizzare benzina per automobili. (È preferibile utilizzare benzina senza piombo o con basso contenuto di piombo per ridurre l'accumulo di residui carboniosi nella camera di combustione.)

Se il livello della benzina è troppo basso, aggiungere benzina nel serbatoio fino a raggiungere il livello richiesto.

Non usare mai la miscela di olio motore e benzina oppure benzina sporca.

Impedire che sporcizia, polvere o acqua entrino nel serbatoio della benzina.

Terminato il rifornimento di benzina, riavvitare il tappo del bocchettone.

Avvertenza

- La benzina può incendiarsi o esplodere molto facilmente in certe condizioni.
- Rifornire il generatore senza soluzione di continuità, e spegnere il motore prima di riempire il serbatoio. È severamente vietato fumare durante il rifornimento e in prossimità delle parti del generatore che contengono benzina.
- La benzina non deve essere fatta fuoriuscire dal serbatoio (il bocchettone di riempimento non deve essere bagnato di benzina). Terminato il rifornimento di benzina, riavvitare il tappo del bocchettone.
- Prestare attenzione a non causare versamenti di benzina quando si riempie il generatore. La benzina traboccata o vaporizzata può incendiarsi. Se vi è una dispersione, fare in modo che l'area di dispersione sia asciugata per bene prima di avviare il motore.
- Evitare di esporre la pelle alla benzina per un tempo prolungato o ripetutamente. Impedire il contatto dei bambini con la benzina.

INVERTER Generator - PMi 2000

Benzina contenente alcool

Se si vuole usare benzina contenente alcool (bioetanolo), il suo valore di ottano non può essere inferiore al livello raccomandato dal costruttore. Esistono due tipi di benzina alcolica: una contiene etanolo e l'altra metanolo.

Non utilizzare il tipo di benzina alcolica che contiene più del **10% di etanolo**, o del tipo che non contiene solvente ausiliario o antisettico in metanolo.

Anche se il metanolo contiene solvente ausiliario e antisettico, non usare benzina alcolica che abbia un contenuto di oltre il **5% di metanolo**.

AVVERTENZA:

- Il danno del sistema di combustione della benzina e i problemi di prestazioni del motore causati dall'uso di benzina alcolica non sono inclusi nella garanzia. Il fabbricante non dà alcuna garanzia riguardo all'uso di carburante contenente metanolo, in quanto la sua applicabilità non è ancora stata confermata.

- Prima di acquistare benzina presso una stazione di rifornimento sconosciuta, informarsi se la benzina contenga alcool oppure no. In caso affermativo, chiedere quale sia la proporzione del contenuto di alcool. Se la benzina da voi utilizzata contiene alcool, o pensate comunque che lo contenga, e si verificano situazioni inattese in corso di funzionamento, passare all'uso di benzina senza alcool.

3. Controllare il filtro dell'aria

Controllare la parte interna del filtro aria, accertandosi che sia pulito e che funzioni bene.

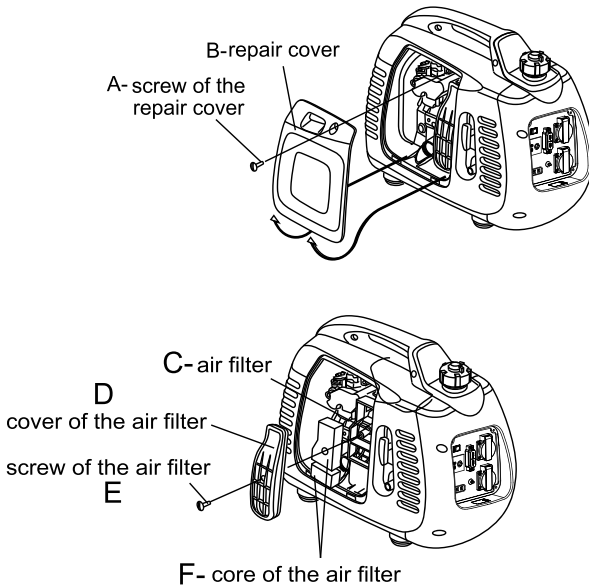
Togliere il coperchio esterno, allentare la vite sul coperchio del filtro aria e togliere il coperchio del filtro aria per controllare la parte interna.

Pulire o sostituire la parte interna del filtro se necessario.

Attenzione

Non far funzionare il motore senza il filtro dell'aria perché non entri sporcizia nel motore attraverso il carburatore: ciò darebbe luogo a una rapida usura del motore stesso.

INVERTER Generator - PMi 2000



A- vite del coperchio esterno	B- coperchio esterno	C- filtro aria
D- coperchio del filtro aria	E- vite del filtro aria	F- parte interna del filtro aria

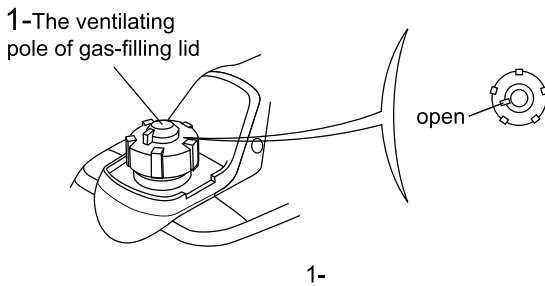
INVERTER Generator - PMi 2000

5. Avvio del motore

Prima di avviare il motore, disconnettere il carico elettrico dalla presa di corrente alternata del motore.

k) Ruotare completamente la valvola in senso orario in posizione "OPEN".

Nota: quando si trasporta il motore, si deve portare la valvola di ventilazione del tappo bocchettone benzina in posizione "CLOSE".



Nota: in caso di primo utilizzo o in ambiente freddo fissare il coperchio di riempimento di carburante fino al palo di ventilazione indica OFF

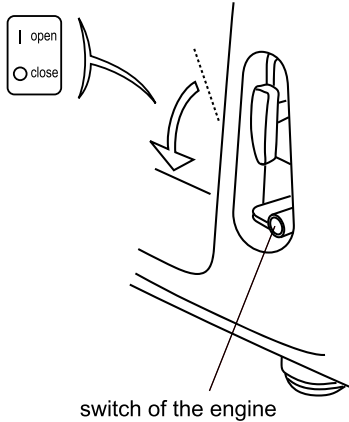
Estrarre lo stelo fino alla fine / superiore e quindi spingere verso il basso cicli 3-4 volte.

(Questo aggiungerà pressione al sistema di alimentazione in modo che il combustibile può raggiungere rapidamente il carburatore per accelerare l'avviamento del generatore)



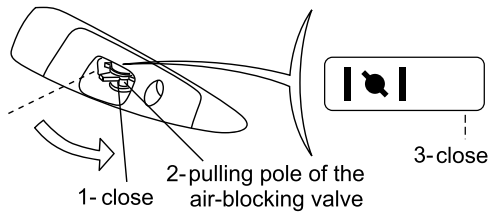
INVERTER Generator - PMi 2000

- l) Portare il commutatore del motore in posizione "OPEN"



- m) Portare il controllo a trazione della valvola bloccaggio aria in posizione "CLOSE"

Nota: quando il motore è caldo e la temperatura esterna è relativamente elevata, non usare il starter.



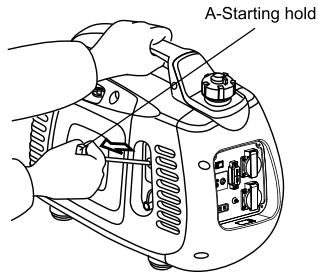
1- close (chiuso)	2- controllo a trazione della valvola di bloccaggio aria	3- close(chiuso)
-------------------	--	------------------

- n) Tirare lo starter a strappo (fig. A) leggermente fino a che si avverte pressione, quindi rilasciarlo lentamente a mano.

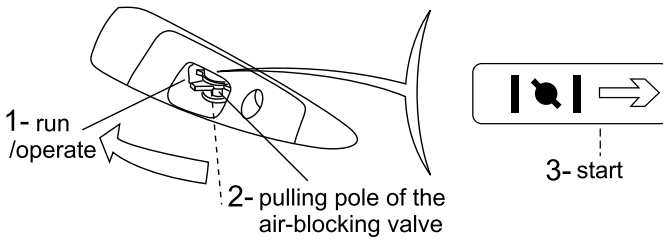
Attenzione

Non lasciare che lo starter a strappo (Fig. A) torni indietro liberamente, ma rilasciarlo lentamente a mano.

INVERTER Generator - PMi 2000



o) Quando il motore si sta riscaldando, portare il controllo a trazione della valvola di bloccaggio aria nella posizione "START".



1- azionamento	2- controllo a trazione della valvola di bloccaggio aria	3- avvio
----------------	--	----------

Nota: Assicurateci di mettere su ON il polo di ventilazione del coperchio del carburante, altrimenti dopo una lunga corsa del generatore ci sarà la mancanza di aria che provoca l'arresto del generatore

Attenzione

▪ Se il motore non si riavvia dopo un arresto, controllare il livello dell'olio prima di pensare ad altri guasti.

INVERTER Generator - PMi 2000

Funzionamento ad alte quote

Ad alte quote, la miscela standard di aria e benzina all'interno del carburatore diviene eccessivamente densa, causando una diminuzione di funzionalità del motore e un incremento del consumo di benzina. Per migliorare le prestazioni del motore in zone ad alta quota, si deve intervenire regolando il carburatore. Se si usa il motore a una quota superiore a 1500 metri, chiedere all'agente autorizzato di modificare il carburatore.

Anche usando l'ugello appropriato, la potenza sviluppata dal motore diminuisce del 3,5% ogni 300 metri di aumento della quota. Se queste regolazioni non vengono apportate, la quota avrà condizionerà la potenza in misura maggiore

Attenzione

L'ugello del motore è progettato per zone ad alta quota. Se viene utilizzato a basse quote, la potenza di uscita può diminuire e si può verificare un riscaldamento eccessivo. Anche il motore potrebbe rimanere danneggiato seriamente a causa di un rapporto troppo basso della miscela aria/carburante.

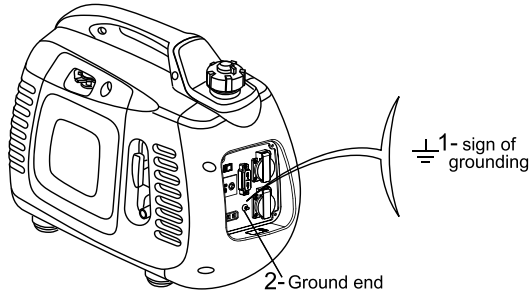
INVERTER Generator - PMi 2000

6. Uso del motore

Se tutte le installazioni sono state collegate a terra, accertarsi del collegamento a terra del motore.

Avvertenza

- Per evitare di subire una scossa elettrica a causa di un funzionamento non corretto, il motore deve essere messo a terra. Il contatto di terra del motore e la terra esterna sono connessi tramite uno spesso cavo.
- Come sorgente elettrica di emergenza per edifici, la connessione tra generatore e altro sistema elettrico deve essere effettuata da elettricisti professionisti. L'operazione deve inoltre essere conforme alle leggi e normative elettriche in vigore. Altrimenti, la corrente del motore potrebbe avere un ritorno nel circuito pubblico. In questo caso, se il personale della compagnia elettrica o altre persone entrassero in contatto con il filo mentre esso conduce elettricità, potrebbero riportare una scossa elettrica potenzialmente anche letale. D'altro canto, quando si accumula energie elettrica di rete, il motore può bruciare, esplodere o causare un incendio all'impianto elettrico dell'edificio.



1- simbolo di messa a terra	2- estremità di terra
-----------------------------	-----------------------

Attenzione

- Non superare la potenza nominale, considerando al contempo il numero totale di watt delle apparecchiature elettriche connesse.
- Non superare il limite di corrente prefissato della presa.
- Non collegare il motore al circuito domestico, altrimenti il motore o il circuito domestico potrebbero rimanerne danneggiati.

INVERTER Generator - PMi 2000

- Non modificare il motore per altri scopi impropri.

Attenersi alle seguenti norme:

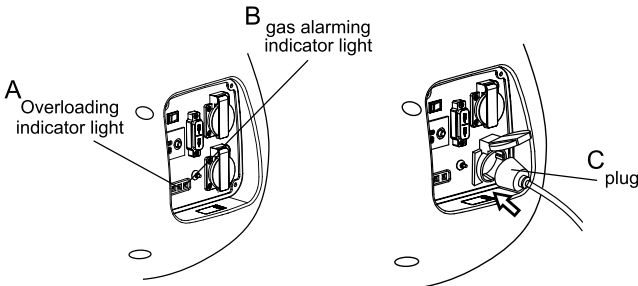
- Non allungare a volontà il tubo di sfiato.
- Se si ha bisogno di allungare il cavo, utilizzare cavo morbido con rivestimento in gomma (secondo IEC245 o requisiti di rilievo).
- Requisiti di lunghezza del cavo prolungato: 60 metri per 1,5 mm² uno, e 100 metri per 2,5 mm² uno. Se il cavo è troppo lungo, la sua resistenza sarà tale da far diminuire la potenza elettrica applicabile.
- Tenere il generatore a distanza da altri fili e cavi, come circuiteria di alimentazione elettrica commerciale.

Avvertimento:

- La sorgente elettrica in corrente alternata (AC) e quella in corrente continua (DC) possono essere usate nello stesso tempo. Se si vogliono utilizzare simultaneamente la presa di corrente alternata e quella di corrente continua, controllare che la potenza elettrica totale non superi la somma della corrente alternata e di quella continua.
- La potenza di avvio della maggior parte delle apparecchiature elettriche è maggiore della potenza nominale.

Uso di corrente alternata (AC)

- 1 Avviare il motore e controllare che la luce di funzionamento (verde) sia accesa.
- 2 Controllare che l'interruttore dell'apparecchiatura elettrica che deve essere usata sia stato messo in posizione di spegnimento, e quindi collegare il generatore all'apparecchiatura elettrica.



A- luce di indicazione sovraccarico

B- luce di indicazione allarme benzina

C- spina

Attenzione

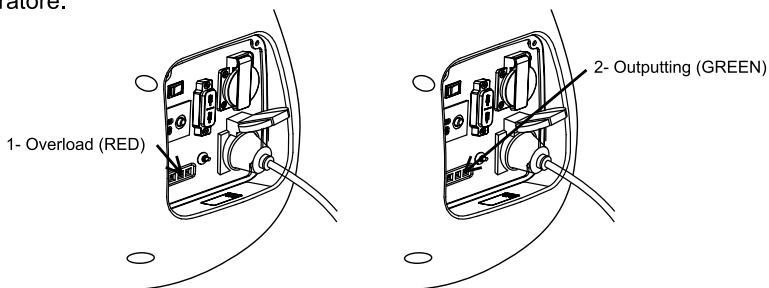
INVERTER Generator - PMi 2000

- Quando l'apparecchiatura elettrica è connessa con il generatore, controllare che l'apparecchiatura funzioni bene prima di connetterla. Se il funzionamento dell'apparecchiatura presenta anomalie, la velocità diminuisce o la macchina cessa improvvisamente di funzionare, si deve spegnere il motore immediatamente, disconnetterlo dal circuito ed esaminarlo per individuare la causa del guasto.

Luci di indicazione di corrente in uscita e di sovraccarico

Se il generatore sta funzionando correttamente, la luce (verde) che segnala corrente in uscita è accesa. Se il generatore va in sovraccarico (al di sopra della potenza nominale), o in caso di cortocircuito all'interno della macchina elettrica a cui si collega, la luce (verde) che segnala corrente in uscita si spegne, mentre la luce di indicazione sovraccarico (rossa) si accende. A questo punto, la corrente all'apparecchiatura elettrica collegata viene interrotta. Se la luce rossa è accesa, si deve spegnere il motore e cercare di capire per quale motivo sia in sovraccarico.

Prima di collegare il filo al generatore, esaminare dapprima se esso funzioni correttamente, e se il suo livello di potenza elettrica superi o meno la capacità del generatore. Quindi impegnare il cavo dell'apparecchiatura elettrica e avviare il generatore.



1- sovraccarico (rosso)

2- corrente in uscita (verde)

Avvertenza:

Subito dopo l'avvio del generatore, la luce rossa e quella verde sono accese simultaneamente. Se la luce rossa si spegne, ciò significa che tutto procede normalmente. Ma se la luce rossa continua a rimanere accesa, occorre consultare il proprio rivenditore.

Uso della corrente continua

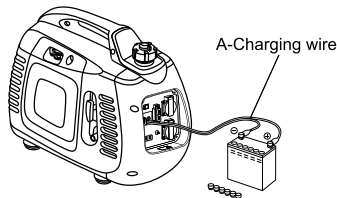
La presa AC per corrente continua è applicabile solo per caricare la batteria

INVERTER Generator - PMi 2000

(12V).

Attenzione

- Durante il processo di funzionamento in corrente continua, portare la valvola intelligente di economizzazione benzina in posizione "CLOSE".
- Connettere in primo luogo il cavo di carica (Fig. A) alla presa di corrente continua del generatore.
- Quindi collegarlo al lato di giunzione della batteria.
- Avviare il motore



Avvertenza

- Per impedire che si sviluppino scintille attorno alla batteria, collegare dapprima il filo di carica al generatore e poi alla batteria. Lo smontaggio deve iniziare dalla batteria.
- Prima di collegare il filo di carica alla batteria che è installata sull'automobile, disconnettere per prima cosa il filo di terra della batteria. Non connettere la terra della batteria finché il cavo di carica viene smontato. Tale operazione aiuterà a prevenire cortocircuiti o scintille quando si metterà inavvertitamente a contatto il lato di giunzione della batteria con il telaio o la carrozzeria dell'automobile.

Attenzione

- Non tentare di avviare il motore dell'automobile quando il generatore è ancora connesso alle batterie, altrimenti il generatore ne verrà danneggiato.
- Il polo positivo del cavo di carica non deve essere connesso al polo negativo della batteria. Non scambiare la polarità del cavo di carica, o si danneggeranno sia il generatore sia la batteria.

Avvertenza

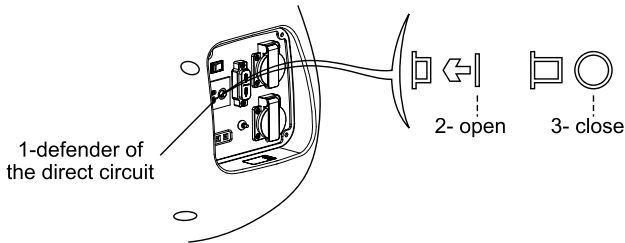
- La batteria può rilasciare sostanze esplosive, per cui deve essere tenuta lontana da scintille, fiamme o sigarette. Ricaricarla senza soluzione di continuità.
- La batteria contiene acido (cella elettrolitica), che entrando a diretto contatto con la pelle o con gli occhi causa ustioni. Indossare pertanto indumenti e maschera di protezione.

INVERTER Generator - PMi 2000

- ↘ Se l'elettrolita entra a contatto con la pelle, lavarsi immediatamente con acqua.
- ↘ Se l'elettrolita entra a contatto con gli occhi, lavarli immediatamente con acqua per almeno 15 minuti e rivolgersi subito al medico.
 - L'elettrolita è tossico.
- ↘ Se dovesse essere ingerito, bere subito grandi quantità di acqua e rivolgersi subito al medico.
 - Tenerlo fuori della portata dei bambini.

Attenzione

- La presa di corrente continua può essere applicata mentre si sta usando la corrente alternata.
- Il sovraccarico del circuito di corrente continua può far saltare l'interruttore di sicurezza del circuito di corrente continua. (L'interruttore premuto si disinserisce con uno scatto.) Se ciò accade, attendere per qualche minuto, e quindi premere nuovamente l'interruttore di sicurezza per il riavvio.



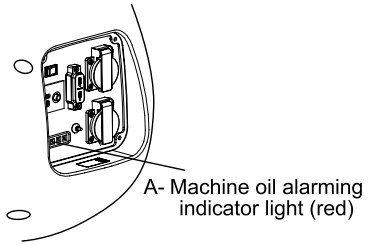
1- interruttore di sicurezza del circuito di corrente continua	2- aperto	3- chiuso
--	-----------	-----------

Sistema di allarme di basso livello dell'olio

Il sistema di allarme di bassa pressione olio è progettato per impedire che il motore riporti danni dovuti alla mancanza di olio nel carter. Prima che l'olio motore nel carter scenda al livello di sicurezza, il sistema di allarme bassa pressione olio spegne il motore automaticamente (l'interruttore del motore sarà ancora nella posizione "OPEN").

Dopo che il sistema di allarme di bassa pressione olio ha chiuso il motore, se si aziona nuovamente lo starter, la luce di allarme bassa pressione olio si accende (Fig. A), e il motore non parte. Se questo accade, si provveda ad aggiungere olio motore.

***INVERTER* Generator - PMi 2000**

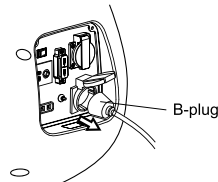


7. Spegnimento del motore

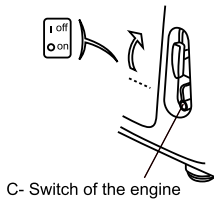
Se si vuole arrestare il motore urgentemente, portare l'interruttore del motore in posizione "CLOSE".

Usò normale:

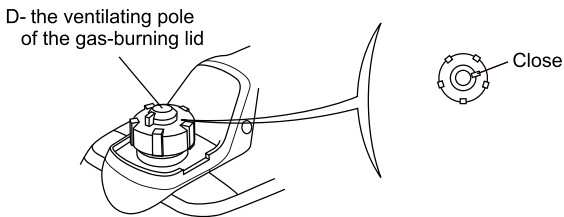
1. Spegnerne tutte le installazioni connesse, e staccare la spina (Fig. B).



2. Portare l'interruttore (Fig. C) della spina in posizione "OFF".



3. Una volta che il motore si sia completamente raffreddato, portare la valvola di ventilazione del tappo bocchettone benzina in posizione "CLOSE" ruotandola in senso antiorario (Fig. D).



Attenzione

- Quando si spegne, si trasporta e si immagazzina il motore, controllare bene che gli interruttori della valvola di ventilazione del tappo bocchettone benzina e del motore siano in posizione "CLOSE".

INVERTER Generator - PMi 2000

7. Manutenzione

Lo scopo del piano di manutenzione e regolazione è mantenere il generatore nelle condizioni di funzionamento migliori possibili.
Controllare ed eseguire la manutenzione del generatore secondo il piano dello schema che segue.

Avvertenza

- Spegnere il motore prima di effettuare qualsiasi riparazione. Se è necessario mettere in funzione il motore durante la riparazione, assicurarsi che l'area sia ben ventilata, in quanto i gas di scarico contengono monossido di carbonio (CO) altamente tossico.

Attenzione

- Utilizzare componenti originali di **PMi 2000** o sostituti della stessa qualità. Componenti non qualificati potrebbero danneggiare il generatore.

Schema per la manutenzione

elemento tempo di manutenzione per fasi (1) effettuare la manutenzione del generatore in mesi o ore specificati; o il mese o l'ora è ok		uso per volta	il primo mese o 20 ore	ogni tre mesi o 50 ore	ogni sei mesi o 100 ore	ogni anno o 200 ore
olio motore	controllo	O				
	cambio		O		O	
filtro aria	controllo	O				
	pulizia			O(1)		
candela	pulizia-regolazione				O	
	cambio					O
contenitore combustione	pulizia	Ogni 300 ore (2)				
clearance della porta aria	controllo-regolazione					O(2)
serbatoio e filtro benzina	pulizia				O(2)	
percorso benzina	controllo	ogni 2 anni Cambiare (2) se necessario.				

INVERTER Generator - PMi 2000

Nota:

1. Se usato in luoghi particolarmente sporchi, il generatore deve essere sottoposto a manutenzione con maggiore regolarità.
2. A meno che l'utente non abbia gli strumenti adatti e abbia competenze specialistiche sulla macchina, la manutenzione degli elementi elencati deve essere effettuata da un agente autorizzato. Fare riferimento al manuale.
3. Quando viene usato a scopi commerciali, occorre annotare per iscritto le ore di funzionamento del generatore per confermare il corretto ciclo di manutenzione.

3. Cambio dell'olio

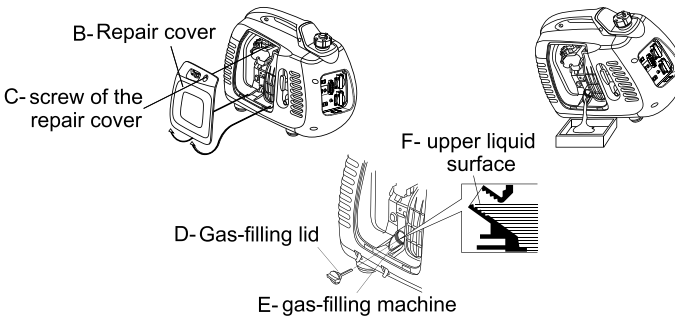
Scaricare l'olio macchina rapidamente e completamente quando il motore è ancora caldo.

Attenzione

Prima di svuotare l'olio, controllare che gli interruttori della valvola di ventilazione del tappo bocchettone benzina e del motore siano in posizione "close".

11. Allentare la vite e togliere il coperchio.
12. Togliere il tappo bocchettone olio.
13. Scaricare completamente l'olio sporco in un apposito contenitore.
14. Riempire con l'olio motore consigliato e controllare il livello olio motore.
15. Re-installare il coperchio esterno e avvitare la vite.

A
Machine oil capability: 0.45L



A- Capacità olio motore: 0,45L	B- Coperchio esterno	C- Vite del coperchio esterno
D- Tappo bocchettone	E- macchina di rifornimento benzina	F- Superficie superiore del liquido

Lavarsi le mani con sapone prima di trattare con l'olio motore.

INVERTER Generator - PMi 2000

Attenzione

▪ Per conformità ai requisiti di protezione ambientale, consigliamo di chiudere l'olio motore usato in contenitori sigillati, e inviarlo al locale centro di smaltimento o riciclaggio. Non versare l'olio nel suolo e non smaltirlo con i comuni rifiuti.

3. Manutenzione del filtro aria

Il filtro dell'aria serve a impedire che entri nel carburatore aria sporca. Per salvaguardare il carburatore dai guasti, effettuare con regolarità la manutenzione del filtro dell'aria. Se il generatore viene usato in luoghi molto sporchi, dovrà essere sottoposto a manutenzione più frequentemente.

Avvertenza

▪ Non usare benzina o solvente a basso punto di infiammabilità per pulire il motore, in quanto possono infiammarsi ed esplodere facilmente in certe condizioni.

Attenzione

▪ Non fare funzionare il generatore senza il filtro dell'aria, o il motore si deteriorerà rapidamente.

13. Allentare la vite del coperchio esterno e togliere il coperchio.

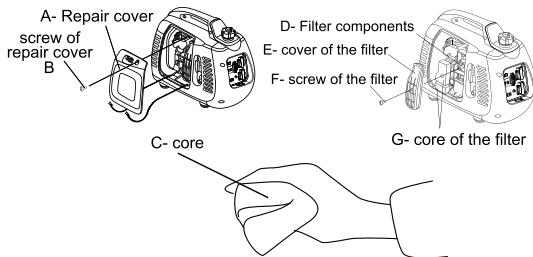
14. Allentare la vite sul coperchio del filtro aria e togliere il coperchio del filtro aria.

15. Pulire la parte interna del filtro aria con un tipo di solvente che non sia infiammabile o abbia un alto punto di infiammabilità, e quindi arieggiare la parte.

16. Pulire la parte interna del filtro aria con olio pulito, e spremere via l'olio in eccesso.

17. Re-installare la parte interna del filtro aria e il suo coperchio e avvitare la vite del coperchio.

18. Re-installare il coperchio esterno, stringere la vite.



INVERTER Generator - PMi 2000

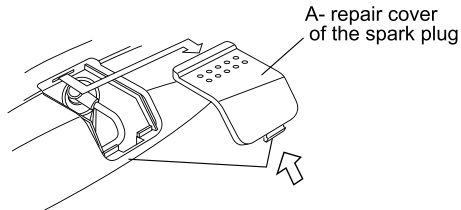
A- Coperchio esterno	B- vite del coperchio esterno	C- parte interna
D- componenti filtro	E- coperchio del filtro	F- vite del filtro
G- parte interna del filtro		

3. Manutenzione della candela

Candela raccomandata: A5RC o NGK R7HSA

Per assicurare un corretto funzionamento del motore, il gap tra gli elettrodi candela deve essere giusto, e non presentare depositi.

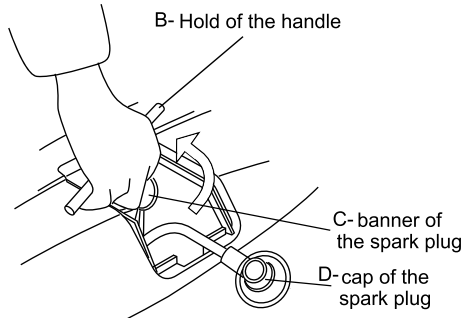
21. Togliere il coperchio esterno della candela (Fig. A).



22. Togliere il cappuccio della candela.

23. Togliere la sporcizia attorno alla base della candela.

24. Smontare la candela con la chiave apposita.

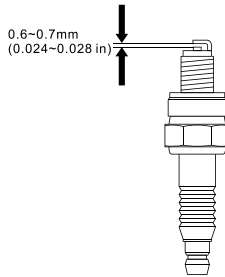


B- Maniglia	C- chiave della candela	D- cappuccio della candela
-------------	-------------------------	----------------------------

INVERTER Generator - PMi 2000

25. Esaminare la candela a occhio nudo. Se l'isolatore presenta crepe o è frammentato, occorre scartare la candela. Se non si può fare a meno di continuare a usarla, occorre pulirla con una spazzola.

26. Misurare il gap tra gli elettrodi candela con un calibro. Il gap deve essere compreso tra 0,6 mm e 0,7 mm.



27. Installare la candela a mano, prestando attenzione. Prestare attenzione a non sovrapporre la filettatura a vite.

28. Dopo l'installazione a mano di una candela nuova, avvitare con l'apposita chiave per un mezzo giro in modo da premere strettamente la rondella. Se viene installata una candela vecchia, la si deve avvitare solo di un ottavo-un quarto di giro dopo che essa è stata fissata.

29. Re-installare il coperchio esterno della candela.

Attenzione

- La candela deve essere fissata saldamente, oppure si scalderà eccessivamente danneggiando il generatore.
- Non usare una candela la cui gamma di misurazione termica non sia adatta.

INVERTER Generator - PMi 2000

8. Trasporto / Immagazzinaggio

Per evitare che il generatore abbia perdite di olio durante il trasporto o l'immagazzinaggio temporaneo, spegnere il generatore, mantenendolo diritto durante le varie operazioni. Dopo che il motore si è raffreddato completamente, portare completamente la valvola di ventilazione del tappo bocchettone benzina in posizione "close".

Avvertenza

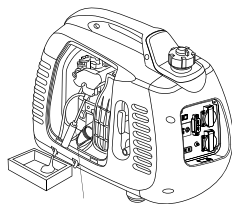
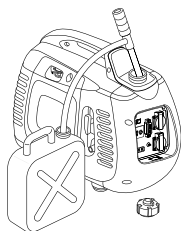
- Quando si trasporta il generatore:
Non lasciare che fuoriesca benzina dal serbatoio. (Sulla sommità del serbatoio non deve esservi benzina.)
- Quando il generatore viene collocato su un veicolo, non mettere in funzione il motore. Togliere il generatore dal veicolo e farlo funzionare a parte.
- Quando si porta il generatore su un autoveicolo, evitare di esporlo alla luce del sole. Se esso viene posto in una vettura chiusa per molto tempo, l'alta temperatura della vettura può portare la benzina a ebollizione, con pericolo di incendio.
- Gli autoveicoli carichi con generatore non devono procedere a scossoni su strade sconnesse per lungo tempo. Viaggiando su tali strade, la benzina presente nel serbatoio deve prima essere completamente scaricata.

Prima di riporre il generatore a magazzino per un lungo periodo di inattività si deve:

- 1 Controllare bene che il luogo di immagazzinaggio sia pulito e asciutto.
- 2 Svuotare completamente il serbatoio di benzina.

Avvertenza

- La benzina può incendiarsi o esplodere molto facilmente in certe condizioni.
- È strettamente proibito fumare nelle vicinanze della benzina.



1- Screw-driver

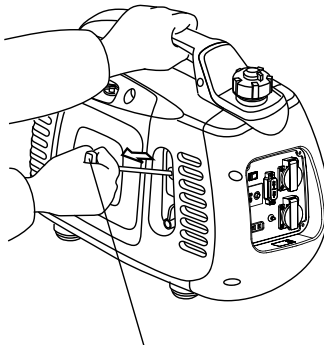
INVERTER Generator - PMi 2000

- K. Svuotare completamente la benzina contenuta nel serbatoio benzina in un contenitore appropriato.
- L. Portare l'interruttore del motore in posizione "CLOSE". Togliere la vite di scarico benzina (Fig.1) sul carburatore e svuotare la benzina in esso contenuta in un contenitore appropriato.
- M. Avvitare la vite di scarico olio sul tappo della candela. Tirare lo starter a strappo per tre o quattro volte, e scaricare la benzina dalla pompa di scarico.
- N. Portare l'interruttore del motore in posizione "CLOSE". Quindi avvitare strettamente la vite di scarico olio.
- O. Re-installare il cappuccio della candela sulla candela.

3. Cambiare l'olio motore.

4. Smontare la candela e versare un cucchiaio di olio motore pulito nel serbatoio della benzina. Fare compiere qualche ciclo al motore per fare in modo che l'olio si distribuisca uniformemente. Installare nuovamente la candela.

5. Tirare lo starter a strappo (Fig. 2) lentamente finché non si inizia ad avvertire resistenza. A questo punto, il pistone raggiunge la compressione, ed entrambe le valvole - quella di entrata e quella di scarico - sono chiuse. L'immagazzinaggio del generatore in queste condizioni aiuterà a impedire che l'interno della macchina si arrugginisca.



2- Starting hold

9. Esame e riparazione del guasto

Se il motore non può essere avviato:

Il serbatoio della benzina contiene ancora benzina? → Se no, riempire di benzina il serbatoio della benzina.

↓ si

L'interruttore del generatore è in posizione "open" (aperta)? → Se no, accendere il motore.

↓ si

Vi è abbastanza olio nel motore? → Se no, aggiungere olio motore

↓ si

Vi sono scintille al di fuori della candela? → Se no, cambiare la candela → Se no, inviare il generatore all'agente autorizzato.

Avvertenza

Accertarsi che non vi sia fuoriuscita di benzina dalla candela. La benzina traboccata potrebbe incendiarsi.

Esame:

1 Smontare la candela, togliere la sporcizia attorno a essa.

2 Smontare la candela, chiuderla con il suo coperchio.

3 Collegare alla terra il polo laterale sul tappo del cilindro aria.

4 Quando si tira lo starter a strappo, la scintilla deve scoccare dal gap tra gli elettrodi.

↓ si

Se il motore non può ancora essere avviato, inviare il generatore all'agente autorizzato.

Se il motore non può essere avviato:

La luce di indicazione corrente in uscita si accende? → Se no, riempire di olio il serbatoio dell'olio

↓ no

La luce di indicazione sovraccarico si accende?

↓ No

Esaminare se l'apparecchiatura elettrica o le installazioni presentano o meno qualche guasto. → Se no, inviare il generatore all'agente autorizzato.

Non vi è corrente nella presa di corrente continua:

L'interruttore di sicurezza del circuito di corrente continua è aperto? → Se no, aprire l'interruttore di sicurezza del circuito di corrente continua

↓

→ → → → → Se sì, inviare il generatore all'agente autorizzato.

INVERTER Generator - PMi 2000

10. Specifiche tecniche

Dimensioni e peso

▪ modello	PMi 2000
▪ lunghezza*larghezza*altezza (mm)	555*305*460
▪ peso netto (kg)	22

Motore

▪ modello	160F
▪ tipo motore	4 tempi, valvola aria in testa, un cilindro
▪ quantità scarico (alesaggio * corsa)	60*40mm
▪ rapporto di compressione	8,8:1
▪ velocità di rotazione	3900rpm (l'accelerografo intelligente si chiude)
▪ sistema di raffreddamento	aria fredda forzata
▪ sistema di ignizione	transistor
▪ capacità benzina	0,4L
▪ capacità serbatoio benzina	6.3L
▪ candela	A5RC
▪ livello di rumore (ISO8528-10)	64db/7m
▪ cilindrata	113cc

Generatore

▪ frequenza predisposta (Hz)	50	60
▪ pressione nominale (V)	230	120 240
▪ corrente nominale (A)	7,4	14,2 7,08
▪ potenza di uscita nominale (KVA)		1700w
▪ massima potenza di uscita (KVA)		2000w
▪ uscita di corrente continua		12V 6A
▪ installazione elettrica circuito aperto		si
▪ livello di rumore (zero carico ~ pieno carico) / 7m		68,5db/7m



Informazioni per il consumatore

Consumer information

PR INDUSTRIAL s.r.l.

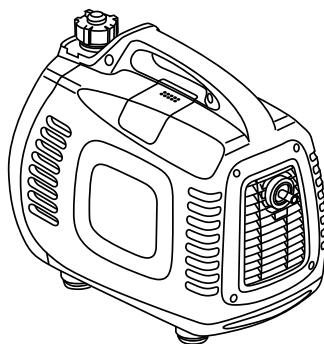
Loc. Il Piano

53031 Casole d'Elsa

Siena - Italy

Web: www.pramac.com

Gerador *INVERTER* PMi 2000



Manual de uso

Por favor leia atentamente o manual antes de usar o gerador.
Este guia contém indicações importantes sobre o funcionamento seguro.

Introdução

Obrigado por ter adquirido o Gerador INVERTER.

Este livreto contém as instruções de uso e manutenção do **PMi 2000**.

Todos os conteúdos deste livreto são coerentes com a configuração mais recente do produto.

O fabricante reserva-se o direito de revisar este guia sem aviso prévio e sem que isto envolva alguma responsabilidade da sua parte.

Não é permitido copiar este documento sem autorização escrita.

Sendo parte integral do gerador, o guia deve acompanhar o gerador quando a máquina for deslocada.

Por favor preste especial atenção às palavras seguintes:

Aviso: um aviso de que, por não agir de acordo com o guia, acidentes graves e lesões às pessoas poderiam ser provocados.

Atenção: indica que caso houvesse um acidente ou o equipamento fosse danificado por uma operação incorreta, o fabricante pode ser contactado para informações.

OBS: fornece indicações úteis.

Para qualquer falha do gerador ou qualquer dúvida sobre o funcionamento, contate o revendedor.

Advertência: Contanto que as indicações do guia forem seguidas, o gerador **PMi 2000** será seguro e confiável. Por favor leia e compreenda o guia antes de utilizar o aparelho, para evitar que um uso incorreto provoque acidentes às pessoas ou danos ao equipamento.

Os guias dos vários tipos de geradores podem ser um pouco diferentes.

Índice

1. Segurança
2. Localização das placas relativas à segurança
3. Identificação dos componentes
4. Controles antes do primeiro arranque
5. Arranque do motor (funcionamento em alta altitude)
6. Uso
7. Manutenção do motor
8. Transporte/armazenamento
9. Busca e conserto de defeitos
10. Características Técnicas
11. Esquema de cablagem

1 Segurança

Para garantir a operação segura, tenha em mente os seguintes avisos:

Aviso

- Utilizando o gerador **PMi 2000** conforme indicado no guia, o gerador funcionará de maneira segura. Por favor leia e compreenda o guia antes de utilizar o aparelho, para evitar que um uso incorreto provoque acidentes às pessoas ou danos ao equipamento.

Aviso

- Os gases de escape contém monóxido de carbono (CO) tóxico. Não use o gerador em lugares sem circulação de ar. Certifique-se de que haja sempre ar suficiente.

Aviso

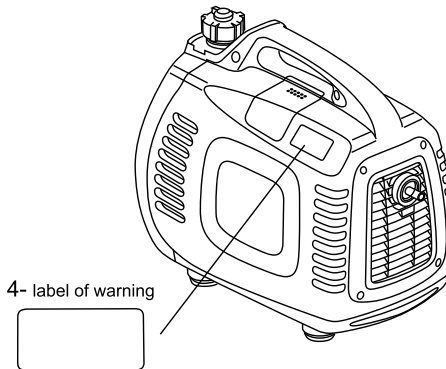
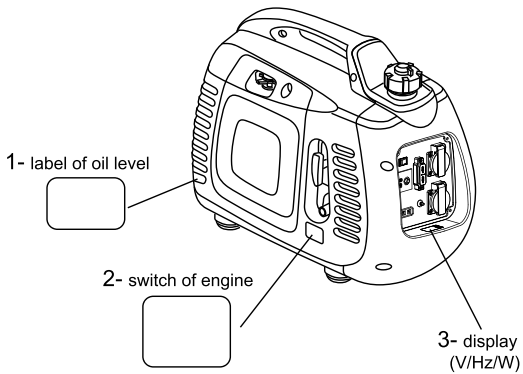
- O combustível pode incendiar-se ou explodir muito facilmente sob determinadas condições. Desligue o motor antes de abastecer.
- Durante o abastecimento, mantenha cigarros e faíscas longe do equipamento. Abasteça sem interrupções.
- Limpe imediatamente qualquer combustível derramado.

Aviso

- Toda vez que o motor for arrancado, verifique o mesmo para evitar acidentes ou danos ao equipamento.
- O gerador deve ser operado a uma distância de pelo menos um metro de paredes e outros equipamentos.
- O gerador deve ser operado sobre uma superfície horizontal. Se for inclinado, poderia haver sobressaídas de combustível.
- Deve haver a possibilidade de desligar rapidamente o gerador e é necessário dominar todas as operações de verificação dos componentes. Nunca use o motor sem as instruções corretas.
- Crianças e animais devem ser mantidos longe da área de operação.
- Quando o motor está funcionando, todos devem ficar longe das partes rotativas.
- O gerador constitui perigo potencial, se for operado de maneira incorreta: portanto, não operá-lo manualmente.
- Não use o gerador debaixo de chuva ou neve, para evitar que se molhe.

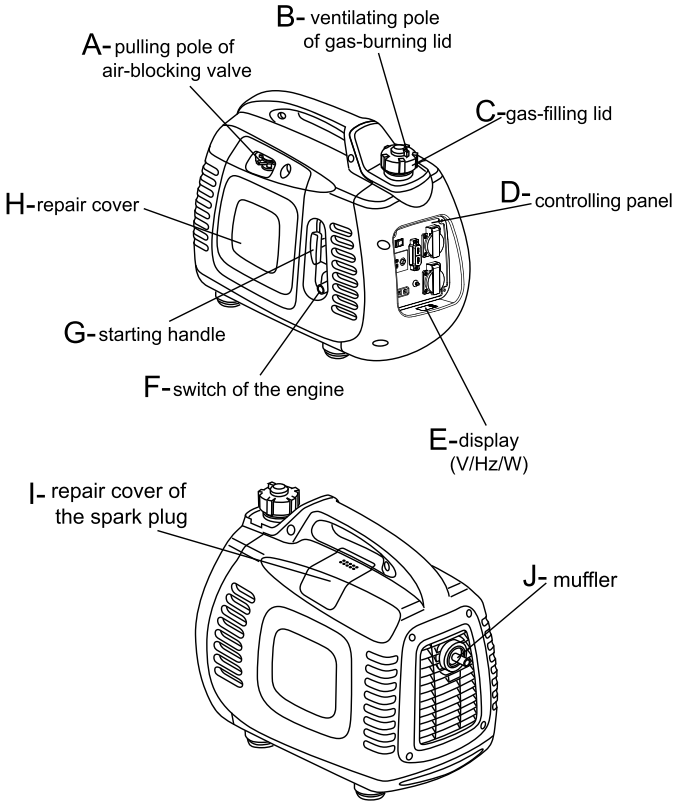
2 Localização das placas relativas à segurança

Estas etiquetas avisam sobre os perigos potenciais que poderiam provocar acidentes graves ou lesões. Por favor leia cuidadosamente as escritas nas etiquetas, os avisos relativos à segurança e as notas contidas no guia. Se as etiquetas estiverem descoladas ou ilegíveis, contate o revendedor Powermate by Pramac e peça para substituí-las.



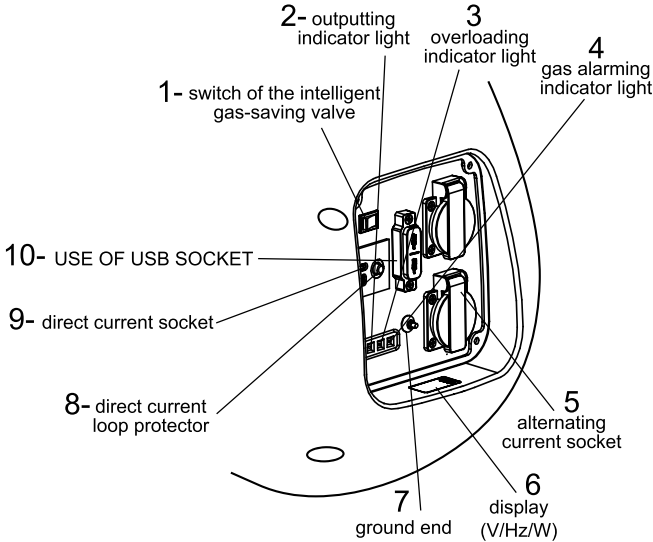
1 - Etiqueta nível óleo	2 - Interruptor do motor
3 - Display (V/Hz/W)	4 - Etiqueta de aviso

3 Identificação dos componentes



A - Controle de tração da válvula de bloqueio ar	B - Válvula de ventilação da tampa do combustível
C - Tampa do combustível	D - Painel de controle
E - Display (V/Hz/W)	F - Interruptor do motor
G - Arranque de puxar	H - Tampa externa
I - Tampa externa da vela de ignição	J - Silenciador

Painel de controle:



1 - Interruptor da válvula inteligente de economia do combustível	2 - Luz indicadora corrente na saída
3 - Luz indicadora de sobrecarga	4 - Luz indicadora do alarme do nível do óleo
5 - Tomada 220V AC	6 - display (V/Hz/W)
7 - Cabo de terra	8 - Proteção circuito corrente contínua
9 - Tomada 12V DC	

Atenção:

A máquina é provida de display “inteligente”: quando a máquina está funcionando, o display visualiza o estado da tensão, frequência e potência da máquina. Pode ser útil para evitar sobrecargas durante o uso da máquina.

Válvula inteligente de economia do combustível:

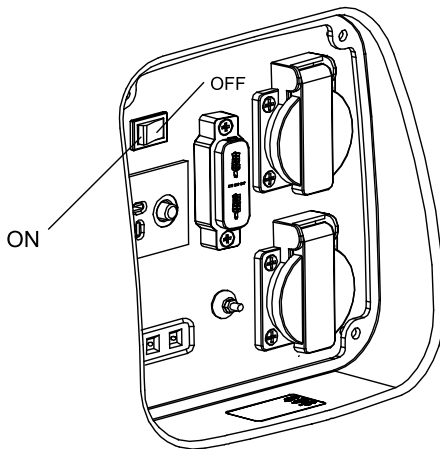
Quando o motor está desconectado do equipamento elétrico, a velocidade do gerador diminui automaticamente. Quando o equipamento está conectado, a carga elétrica faz voltar o gerador ao estado de geração apropriado. Esta instalação é usada para reduzir o consumo de combustível durante o funcionamento.

Aviso

- Quando o equipamento elétrico deve ser desconectado da alimentação elétrica, o sistema inteligente de economia do combustível pode não funcionar corretamente.
- Quando o equipamento elétrico está conectado a uma alta carga elétrica, desligue a válvula inteligente de economia do combustível, para minimizar a variação de pressão média.
- Quando é usada a saída DC, desligue a válvula inteligente de economia do combustível

Close (fechado):

Significa que o sistema inteligente de economia do combustível está desligado, e a velocidade de rotação do gerador é mantida a um nível mais elevado da velocidade de rotação padrão.



4 Verificações antes da operação

Aviso

- Verifique o gerador sobre uma superfície perfeitamente horizontal, e verifique que o motor esteja desligado.

1. Controle do nível do óleo:

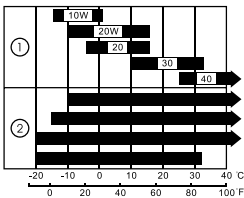
Aviso

- O uso de óleo sem aditivos detergentes ou de óleo para motores de dois tempos pode reduzir a vida útil do gerador.

Utilize óleo com alta quantidade de aditivos detergentes ou óleo de alta qualidade para motores de quatro tempos. O nível de qualidade deve alcançar ou superar o nível SG/SF exigido pelo fabricante norte-americano e explicitado pelo American Petroleum Institute.

Escolha óleo motor com grau de viscosidade apropriado, em base à temperatura média da região onde for usado.

Rank of SAE ropy degree SAE



① 1 mono- ropy degree

② 2 multi- ropy degree

Environmental temperature

Extrair a haste do óleo, limpá-la com um pano limpo e inseri-la no bocal de abastecimento para controlar o nível do óleo. Tenha cuidado para não deixá-la cair dentro.

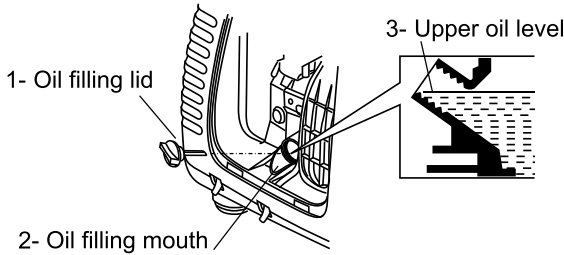
Se o nível do óleo motor estiver abaixo do nível indicado na haste, acrescentar o óleo motor aconselhado no bocal de abastecimento.

Aviso

- Se o motor for operado com nível de óleo baixo, poderá ser gravemente danificado.

OBS:

O sistema de alarme do óleo desliga o motor antes que o nível desça abaixo do limite mínimo de segurança. Todavia, para evitar o inconveniente de parada inesperada da máquina, aconselhamos controlar com regularidade o nível do óleo.



1 - Tampa bocal do óleo	2 - Bocal do óleo	3 - Nível superior óleo
-------------------------	-------------------	-------------------------

2. Controlar o nível do combustível:

Utilizar combustível para carros (é preferível utilizar combustível sem chumbo ou com baixo teor de chumbo, para reduzir a acumulação de resíduo de carbono na câmara de combustão).

Se o nível do combustível for baixo demais, abastecer combustível no tanque até alcançar o nível necessário.

Nunca utilize mistura de óleo motor e combustível, ou combustível sujo. Não permita que sujeira, poeira ou água entrem no tanque do combustível. Após o abastecimento do combustível, aparafusar novamente a tampa do bocal.

Aviso

- O combustível pode incendiar-se ou explodir muito facilmente em determinadas condições.
- Abasteça o gerador sem interrupções e desligue o motor antes de encher o tanque. É terminantemente proibido fumar durante o abastecimento por perto das partes do gerador que contêm combustível.
- O combustível não deve ser derramado do tanque (o bocal de abastecimento não deve ser molhado com o combustível). Após o abastecimento do combustível, aparafusar novamente a tampa do bocal.
- Tenha cuidado para não derramar combustível durante o abastecimento do gerador. O combustível derramado ou vaporizado pode incendiar-se. Se houver um derrame, enxugue bem a área de dispersão antes de arrancar o motor.

- Evite expor a pele ao combustível por um tempo prolongado ou repetidamente. Evite o contato das crianças com o combustível.

Combustível contendo álcool

Se quiser usar combustível que contém álcool (bio-etanol), o valor de octanas não pode ser abaixo do nível aconselhado pelo fabricante. Existem dois tipos de combustível alcoólico: um que contém etanol e o outro metanol.

Não utilize o tipo de combustível alcoólico que contém mais do **10% de etanol**.

Não utilize o tipo de combustível alcoólico que contém mais do **5% de metanol**.

AVISO:

- O prejuízo ao sistema de combustão e os problemas de desempenho do motor causados pelo uso de combustível alcoólico não são incluídos na garantia. O fabricante não fornece nenhuma garantia em relação ao uso de combustível contendo metanol, porque a sua aplicabilidade não foi ainda confirmada.
- Antes de comprar combustível a um posto de abastecimento desconhecido, informe-se se o combustível contém álcool ou não. Em caso afirmativo, pergunte qual é o teor do conteúdo de álcool. Se o combustível utilizado contém álcool, ou se acha que o contenha, e houverem condições inesperadas durante o funcionamento, passe a usar combustível sem álcool.

3. Controle do filtro do óleo

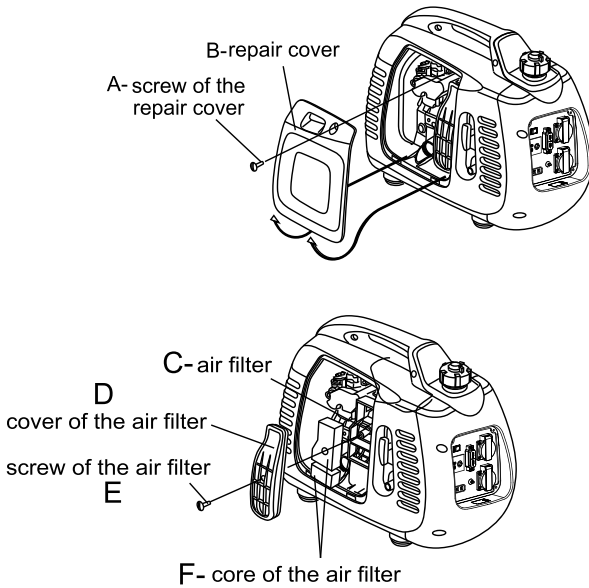
Controle a parte interna do filtro do ar, certificando-se de que esteja limpo e que funcione bem. Tire a tampa externa, folgue o parafuso na tampa do filtro do ar e tire a tampa do filtro do ar para verificar a parte interna.

Limpe ou substitua a parte interna do filtro se for necessário.

Atenção

Não operar o motor sem o filtro do ar, para evitar de deixar entrar sujeira no motor pelo carburador: isto levaria a desgaste rápido do motor.

INVERTER Generator – Pmi 2000



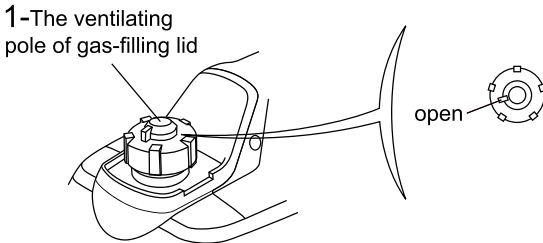
A - Parafuso da tampa externa	B - Tampa externa
C - Filtro do ar	D - Tampa do filtro do ar
E - Parafuso do filtro do ar	F - Parte interna do filtro do ar

5 Arranque do rotor

Antes de arrancar o motor, desconecte a carga elétrica da tomada de corrente alternada do motor.

A) Gire completamente a válvula para o sentido horário em posição “OPEN” (aberto).

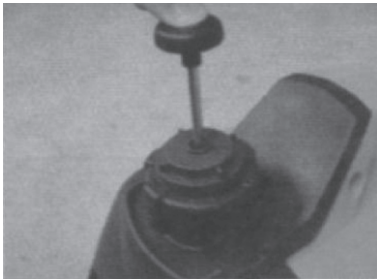
OBS: quando o motor for transportado, coloque a válvula de ventilação da tampa do bocal do combustível na posição “CLOSE” (fechado).



OBS: no momento da primeira utilização ou em ambientes frios, gire a válvula de ventilação da tampa do combustível para OFF.

Extraia a vara até o fim/superior e depois empurrar para baixo em ciclos de 3-4 vezes

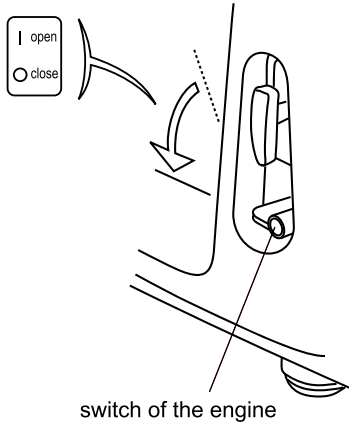
(isto aumentará a pressão do sistema de alimentação, de maneira tal que o combustível poderá alcançar rapidamente o carburador e acelerar o arranque do gerador).



1 - Válvula de ventilação da tampa do bocal do combustível

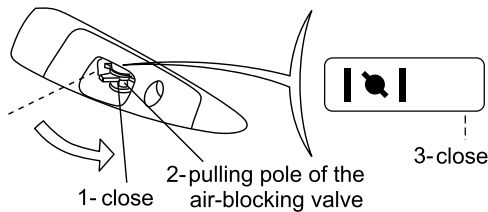
2 - Interruptor do motor

B) Coloque o comutador do motor na posição “OPEN”.



C) Coloque o controle de tração da válvula de bloqueio ar na posição “CLOSE”.

OBS: quando o motor estiver quente e a temperatura externa for relativamente alta, não use o arrancador.



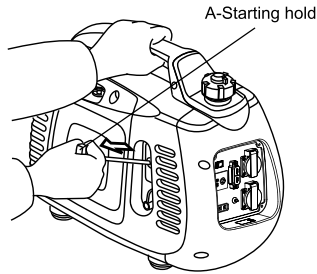
1 - Close	2 - Controle de tração da válvula de bloqueio ar	3 - Close
-----------	--	-----------

D) Arranque o arrancador (fig. A) um pouco, até perceber a pressão, depois solte devagar.

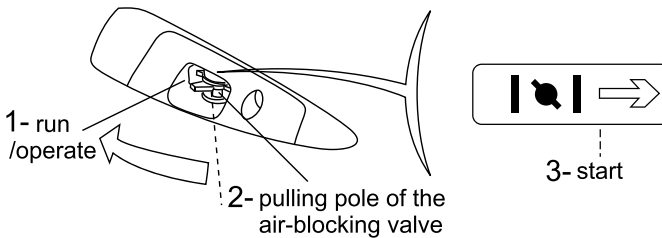
Atenção

Não deixe que o arrancador (fig. A) volte para trás livremente, mas solte-o devagar.

INVERTER Generator – Pmi 2000



E) Quando o motor está se aquecendo, coloque o controle de tração da válvula de bloqueio do ar na posição “START”.



1 - Run/operate (acionamento)	2 - Controle de tração da válvula de bloqueio ar	3 - Start
-------------------------------	--	-----------

OBS: certifique-se de colocar no ON o pólo de ventilação da tampa do combustível, de outra forma depois de um longo funcionamento do gerador haverá falta de ar que provocará a parada do gerador.

Atenção

- Se o motor não repartir de pois de uma parada, controle o nível do óleo antes de pensar em outras falhas.

Funcionamento em alta altitude

Am altas altitudes, a mistura padrão de ar e combustível dentro do carburador torna-se densa demais, causando a diminuição do desempenho do motor e o aumento de consumo de combustível. Para melhorar o desempenho do motor nas áreas em alta altitude, o carburador deve ser regulado. Se o motor for usado a uma altura acima de 1500 metros (5000 pés), solicite ao revendedor autorizado para modificar o carburador.

Mesmo utilizando o bico especial, a potência desenvolvida pelo motor diminui do 3,5% a cada 300 metros (2000 pés) de aumento da altitude. Caso estas regulações não forem aplicadas, a altitude condicionará a potência de forma maior.

Atenção

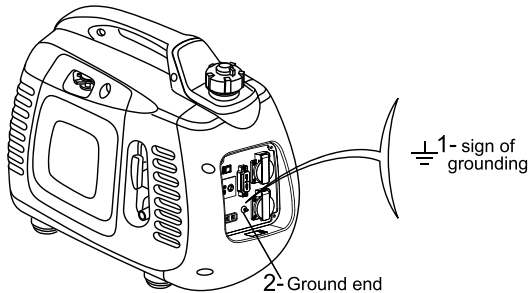
O bico do motor é projetado para áreas em altas altitudes. Se for utilizado em baixas altitudes, a potência gerada pode diminuir e pode haver sobreaquecimento. Também o motor poderia ser danificado gravemente por causa de uma razão baixa demais da mistura ar/combustível.

6 Uso do motor

Se todas as instalações tiverem sido aterradas, certifique-se da conexão de aterramento do motor.

Aviso

- Para evitar eletrocussão por causa de funcionamento incorreto, o motor deve ser aterrado. O terminal de aterramento do motor e a terra externa são conectados por meio de um cabo espesso.
- Em caso de fonte de energia elétrica para edifícios, a conexão entre o gerador um outro sistema elétrico deve ser realizada por técnicos elétricos profissionais. A operação deve ser feita também conforme as leis e os regulamentos elétricos em vigor. De outra forma, a corrente do motor poderia retornar ao circuito público. Neste caso, se o pessoal da empresa elétrica ou outras pessoas entrassem em contato com o fio carregado de corrente elétrica, poderiam receber uma eletrocussão potencialmente mortal. Por outro lado, acumulando energia elétrica da rede, o motor pode queimar, explodir ou causar um incêndio à instalação elétrica do edifício.



1 - Símbolo de aterramento

2 - Terminal de aterramento

Atenção

- Não supere a potência nominal, considerando ao mesmo tempo a carga total em Watt dos equipamentos elétricos conectados.
- Não supere o limite de corrente exigido pela tomada.
- Não conecte o motor à instalação elétrica de casa, porque o motor ou o circuito da casa poderiam ser prejudicados.
- Não altere o motor para usos impróprios.

Por favor respeite as regras seguintes:

INVERTER Generator – Pmi 2000

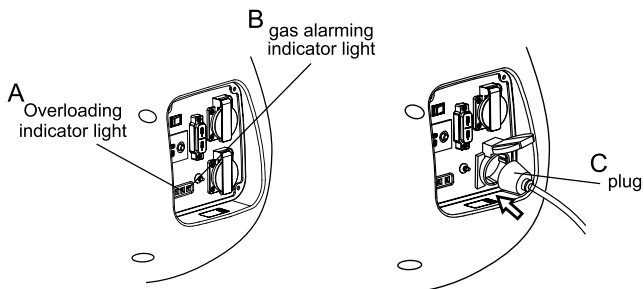
- Não estenda à vontade o tubo de respiro.
- Se houver necessidade de estender o cabo, use cabo flexível com revestimento de borracha (conforme IEC245 ou requisitos relevantes).
- Requisitos de comprimento do cabo estendido: 60 metros para 1,5mm² cada, e 100 metros para 2,5 mm² cada. Se o cabo for comprido demais, a sua resistência será tal a diminuir a potência elétrica aplicável.
- Mantenha o gerador longe de outros fios e cabos, como por ex. circuitos de alimentação elétrica comercial.

Aviso:

- A fonte elétrica em corrente alternada (AC) e aquela em corrente contínua (DC) podem ser usadas ao mesmo tempo. Se quiser utilizar ao mesmo tempo a tomada de corrente alternada e aquela de corrente contínua, controle que a potência elétrica total não supere a soma da corrente alternada e da contínua.
- Lembre-se sempre de que a potência de arranque da maior parte dos equipamentos elétricos é maior da potência nominal!

Uso de corrente alternada (AC)

1. Arranque o motor e controle que o indicador de funcionamento (verde) esteja ligado.
2. Verifique que o interruptor do equipamento elétrico que deve ser usado tenha sido colocado na posição de desligamento; depois conectar o gerador ao equipamento elétrico.
3. Arrancar o equipamento.



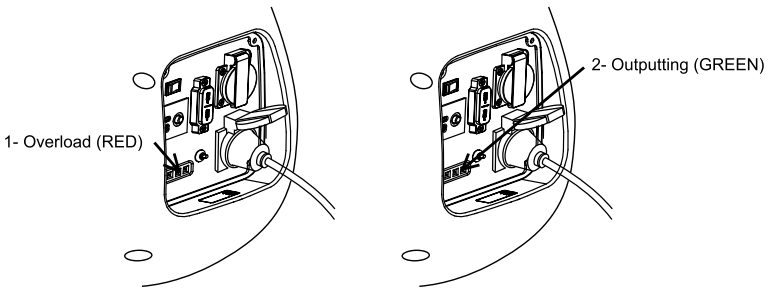
A - Indicador de sobrecarga	B - Indicador de alarme combustível	C - Tomada
-----------------------------	-------------------------------------	------------

Atenção

- Verifique que o equipamento elétrico seja perfeitamente eficiente, antes de conectá-lo com o gerador. Se o funcionamento do equipamento apresentar anomalias, a velocidade diminui ou a máquina parar repentinamente de funcionar, o motor deve ser desligado imediatamente, desconectado do circuito e examinado para localizar a causa da falha.

Luzes indicadoras da corrente de saída e de sobrecarga

Se o gerador estiver funcionando corretamente, a luz (verde) que indica corrente na saída está ligada. Se o gerador estiver sobrecarregado (acima da potência nominal) ou em caso de curto-circuito na máquina elétrica a que está conectado, a luz (verde) que indica corrente na saída desliga, enquanto a luz de indicação de sobrecarga (vermelha) liga. Neste ponto a corrente ao equipamento elétrico ligado é interrompida. Se a luz vermelha estiver ligada, o motor deve ser desligado para tentar compreender a razão da sobrecarga. Antes de conectar o cabo ao gerador, verifique primeiro se o mesmo esteja funcionando corretamente e se o nível de potência elétrica supere ou não a capacidade do gerador. Depois conecte o cabo do equipamento elétrico e arranque o gerador.



1 - Sobrecarga (VERMELHO)	2 - Corrente na saída (VERDE)
---------------------------	-------------------------------

Aviso:

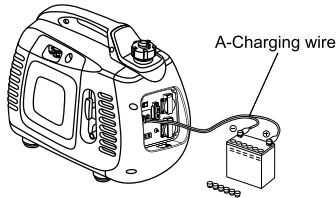
Logo depois do arranque do gerador, a luz vermelha e a verde estão ligadas ao mesmo tempo. Se a luz verde desligar, significa que tudo está correndo bem. Mas se a luz vermelha continuar ligada, é necessário consultar o revendedor.

Uso da corrente contínua

A tomada AC de corrente contínua pode ser usada só para a carga da bateria (12V).

Atenção

- Durante o funcionamento em corrente contínua, coloque a válvula inteligente de economia de combustível na posição “CLOSE”.
- Conecte primeiro o cabo de carga (fig. A) à tomada de corrente contínua do gerador.
- Depois conecte-o ao lado de junção da bateria.
- Arranque o motor.



Aviso

- Para impedir a formação de faíscas ao redor da bateria, conecte primeiro o cabo de carga ao gerador, e depois à bateria. A desmontagem deve iniciar pela bateria.
- Antes de conectar o cabo de carga à bateria instalada no carro, desconecte primeiro o cabo de terra da bateria. Não conecte a terra da bateria até que o cabo de carga for desmontado. Esta operação evita curto-circuitos ou faíscas quando o lado de junção da bateria for posto acidentalmente em contato com a estrutura ou a lataria do carro.

Atenção

- Não tente arrancar o motor do carro quando o gerador ainda estiver conectado às baterias, pois o gerador será danificado.
- O pólo positivo do cabo de carga não deve ser conectado ao pólo negativo da bateria. Não troque a polaridade do cabo de carga, para não danificar o gerador nem a bateria.

Aviso

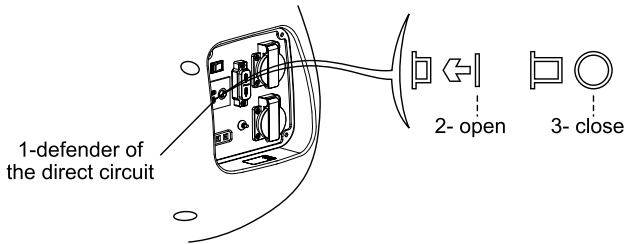
- A bateria pode emitir substâncias explosivas, portanto deve ser mantida longe de faíscas, chamas ou cigarros. Recarregue-a sem interrupções.
- A bateria contém ácido (célula eletrolítica) que entrando em contato direto com a pele ou os olhos provoca queimaduras. Portanto, use vestuário e máscara de proteção.

Se o eletrólito entrar em contato com a pele, lave-se imediatamente com água.

- ↘ Se o eletrólito entrar em contato com os olhos, lave-os imediatamente com água durante pelo menos 15 minutos e procure logo um médico.
 - O eletrólito é tóxico.
- ↘ Se for ingerido, beba imediatamente grandes quantidades de água ou leite. Depois beba leite de magnésia, ou óleo vegetal, e procure logo um médico.
 - Mantenha-o longe do alcance das crianças.

Atenção

- A tomada da corrente contínua pode ser conectada enquanto estivermos usando a corrente alternada.
- A sobrecarga do circuito da corrente contínua pode fazer disparar o interruptor de proteção do circuito da corrente contínua (o interruptor pressionado desliga com um clique). Se isto acontecer, aguarde uns minutos, depois pressione novamente o interruptor de proteção para rearmá-lo.
-



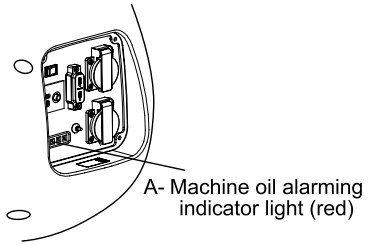
1 - Interruptor de proteção do circuito em corrente contínua	2 - Open (aberto)	3 - Close (fechado)
--	-------------------	---------------------

Sistema de alarme de nível baixo do óleo

O sistema de alarme de baixa pressão do óleo é projetado para evitar que o motor fique danificado pela falta de óleo no cárter. Antes que o óleo motor no cárter desça até o nível de segurança, o sistema de alarme de baixa pressão do óleo desliga automaticamente o motor (o interruptor do motor estará ainda na posição “OPEN”).

Depois que o sistema de alarme de baixa pressão do óleo desligou o motor, utilizando de novo o arrancador a luz de alarme de baixa pressão do óleo liga (fig. A) e o motor não parte. Se isto acontecer, abastecer óleo no motor.

***INVERTER* Generator – Pmi 2000**

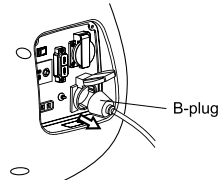


7 Desligamento do motor

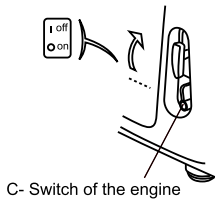
Se o motor deve ser parado com urgência, coloque o interruptor do motor na posição “CLOSE”.

Uso normal:

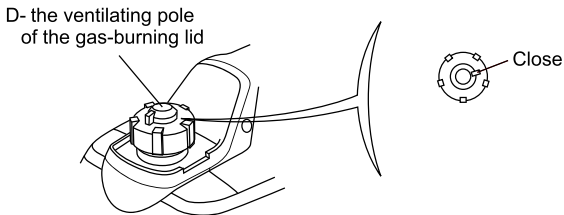
1. Desligue todas as instalações conectadas e tire o plugue (fig. B).



2. Coloque o interruptor (fig. C) do plugue na posição “OFF”.



3. Uma vez que o motor estiver completamente arrefecido, coloque a válvula de ventilação da tampa do combustível na posição “CLOSE” girando para o sentido antihorário (fig. D).



Atenção

- Quando o motor for desligado, transportado ou armazenado, controle bem que os interruptores da válvula de ventilação da tampa do bocal do combustível e do motor estejam na posição “CLOSE” (fechado).

7 Manutenção

A função do programa de manutenção e calibração é manter o gerador na melhor condição possível para o funcionamento.

Verifique e realize a manutenção do gerador conforme o programa seguinte.

Aviso

▪ Desligue o motor antes de realizar qualquer conserto. Se for necessário arrancar o motor durante o conserto, certifique-se de que a área seja bem ventilada, pois os gases de exaustão contém monóxido de carbono (CO), substância tóxica.

Atenção

Utilize peças originais da **PMi 2000** ou compatíveis da mesma qualidade. Componentes não qualificados poderiam danificar o gerador.

Plano de manutenção

Realize a manutenção do gerador em meses ou horas especificados; tanto o mês como a hora estão ok.

tempo de manutenção por fases (1)		uso por vez	o primeiro mês ou 20 horas	a cada três meses ou 50 horas	a cada seis meses ou 100 horas	a cada ano ou 200 horas
óleo motor	controle	O				
	troca		O		O	
filtro do ar	controle	O				
	limpeza			O (1)		
vela de ignição	limpeza/regulação				O	
	troca					O
contentor combustão	limpeza	a cada 300 horas (2)				
folga da porta do ar	controle/regulação					O (2)
tanque e filtro combustível	limpeza				O (2)	
percurso combustív	controle	a cada 2 anos, substituir (2) se for necessário				

OBS:

1. Se for usado em lugares especialmente sujos, o gerador deve ser submetido a manutenção mais frequentemente.
2. A não ser que o usuário tenha os instrumentos adequados e tenha competência especialista sobre a máquina, a manutenção dos elementos listados deve ser realizada por um revendedor autorizado. Consulte o manual.
3. Quando for usado por funções comerciais, é necessário anotar por escrito as horas de funcionamento do gerador, para confirmar o ciclo correto de manutenção.

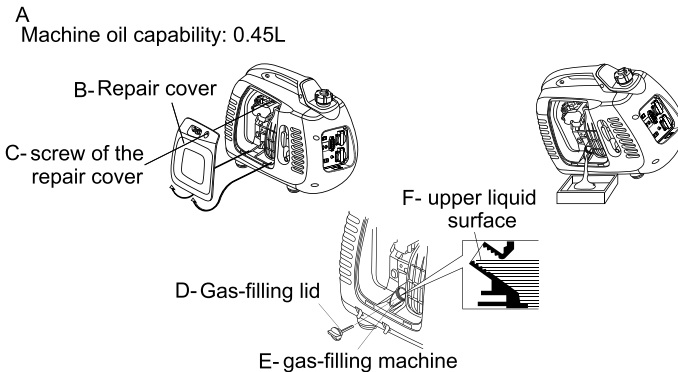
3. Troca do óleo

Descarregue o óleo da máquina rapidamente e completamente quando ainda o motor estiver quente.

Atenção

Antes de drenar o óleo, verifique que os interruptores da válvula de ventilação da tampa do combustível e do motor estejam em posição “CLOSE”.

1. Folgue o parafuso e remova a tampa.
2. Tire a tampa do bocal do óleo.
3. Drene completamente o óleo sujo em um contentor apropriado.
4. Abasteça com o óleo motor aconselhado e verifique do nível do óleo motor.
5. Monte de novo a tampa externa e coloque o parafuso.



A - Capacidade óleo motor: 0,45 L	B - Tampa externa	C - Parafuso da tampa externa
D - Tampa do bocal	E - Máquina de abastecer combustível	F - Superfície superior do líquido

Lave as mãos com sabão depois de ter trabalhado com o óleo motor.

Atenção

▪ De acordo com os requisitos de proteção do meio ambiente, aconselhamos colocar o óleo motor usado em contentores estanques e enviá-lo para o centro local de eliminação ou reciclagem. Não derrame o óleo no solo e não o elimine com os resíduos comuns.

▪

3. Manutenção do filtro do ar

O filtro do ar evita que no carburador entre ar sujo. Para evitar falhas no carburador, faça com regularidade a manutenção do filtro do ar. Se o gerador for usado em lugares muito sujos, deverá ser submetido a manutenção mais frequentemente.

Aviso

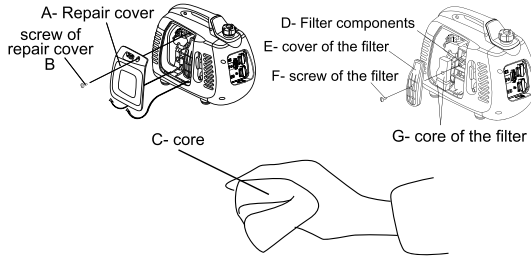
▪ Não use combustível ou solvente com baixo ponto de inflamabilidade para limpar o motor, porque poderia incendiar-se ou explodir muito facilmente em determinadas condições.

Atenção

Não operar o gerador sem o filtro do ar, para não desgastar rapidamente o motor.

1. Folgue o parafuso da tampa externa e tire a tampa.
2. Folgue o parafuso na tampa do filtro do ar e remova a tampa do filtro do ar.
3. Limpe a parte interna do filtro do ar com um tipo de solvente que não seja inflamável ou com alto ponto de inflamabilidade, depois ventile a parte.
4. Limpe a parte interna do filtro do ar com óleo limpo, e esprema o óleo excedente.
5. Remonte a parte interna do filtro do ar e a sua tampa, depois aparafuse o parafuso da tampa.
6. Remonte a tampa externa e recoloque o parafuso.

INVERTER Generator – Pmi 2000



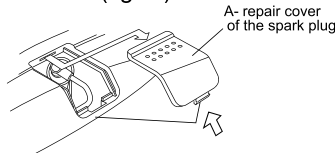
A - Tampa externa	B - Parafuso da tampa externa	C – Parte interna
D - Componentes do filtro	E - Tampa do filtro	F - Parafuso do filtro
G - Parte interna do filtro		

3. Manutenção da vela de ignição

Vela recomendada: A5RC ou NGKR7HSA

Para garantir o funcionamento correto do motor, a falha entre os eletrodos da vela deve ser correta e não ter resíduos de carbono.

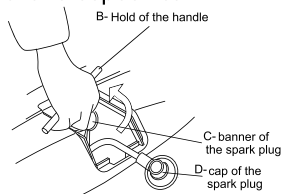
1. Remova a tampa externa da vela (fig. A).



2. Remova o capuz da vela.

3. Remova a sujeira ao redor da base da vela.

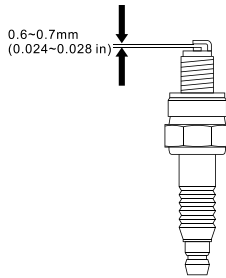
4. Desmonte a vela utilizando a chave específica.



B - Alça	C - Chave da vela de ignição	D - Capuz da vela
----------	------------------------------	-------------------

5. Examine a vela visualmente. Se o isolador estiver quebrado ou rachado, é necessário substituir a vela. Se tivermos que usar necessariamente a vela, limpá-la com uma escova.

6. Medir a falha entre os eletrodos da vela com um calibre. A falha deve ser compreendida entre 0,6 e 0,7 mm.



7. Remonte a vela manualmente, prestando atenção. Tenha cuidado para não sobrepor a roscagem.

8. Depois da instalação manual de uma nova vela de ignição, aparafuse-a com a chave especial de meia volta, para pressionar bem a arruela. Se for reinstalada uma vela velha, aperte só de 1/8 - 1/4 de volta depois de ter sido aparafusada.

9. Remonte a tampa externa da vela de ignição.

Atenção

- A vela deve ser fixada firmemente, para evitar que se aqueça excessivamente danificando o gerador.
- Não use uma vela cujas características térmicas não sejam adequadas.

8 Transporte/armazenamento

Para evitar que no gerador haja vazamentos de óleo durante o transporte ou o armazenamento temporário, desligue o gerador mantendo-o reto durante as operações. Após o arrefecimento completo do motor, coloque a válvula de ventilação da tampa do combustível completamente na posição “CLOSE”.

Aviso

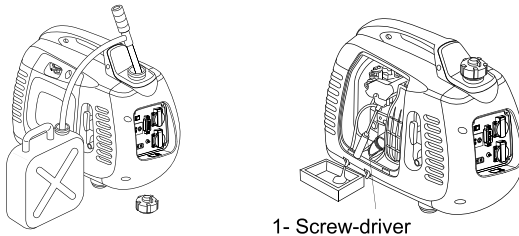
- Quando o gerador for transportado: Evite vazamentos de combustível pelo tanque (no topo do tanque não deve haver combustível).
- Quando o gerador for colocado em um veículo, não arranque o motor. Tire o gerador do veículo antes de arrancá-lo.
- Quando o gerador for transportado em um veículo, evite expô-lo à luz do sol. Se for colocado em um veículo fechado por muito tempo, a alta temperatura do veículo pode levar o combustível à ebulição, com perigo de incêndio.
- Os veículos carregados com o gerador não devem transitar por estradas irregulares por muito tempo. Em estradas deste tipo o combustível no tanque deve ser antes completamente drenado.

Antes de armazenar o gerador por um longo período de inatividade:

1. Controle bem que o lugar de armazenamento seja limpo e enxuto.
2. Esvaziar completamente o tanque do combustível.

Aviso

- O combustível pode incendiar-se ou explodir muito facilmente em determinadas condições.
- É terminantemente proibido fumar por perto do combustível.



1- Screw-driver

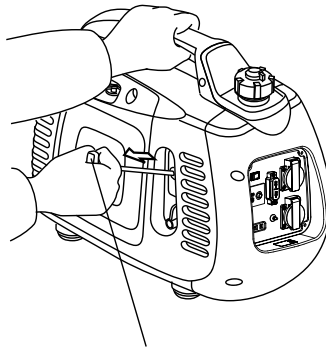
3. Esvazie completamente o combustível contido no tanque em um contentor apropriado.

4. Coloque o interruptor do motor na posição “CLOSE”. Remova o parafuso de descarga do combustível (fig. 1) no carburador e esvazie o combustível contido neste em um contentor apropriado.
5. Aparafuse o parafuso de descarga do óleo na tampa da vela. Puxe o arrancador três ou quatro vezes e descarregue o combustível da bomba de descarga.
6. Coloque o interruptor do motor na posição “CLOSE”. Depois aparafuse estreitamente o parafuso de descarga do óleo.
7. Recoloque o capuz da vela.

8. Descarregue o óleo motor.

9. Desmonte a vela e despeje uma colher de chá de óleo motor limpo no tanque do combustível. Faça o motor executar uns ciclos, para fazer com que o óleo se distribua de maneira uniforme. Instale novamente a vela.

10. Arranque o arrancador (fig. 2) devagar, até encontrar resistência. Neste ponto o pistão alcança a compressão e ambas as válvulas - a de entrada e a de saída - estão fechadas. O armazenamento do gerador nestas condições evitará a formação de ferrugem dentro da máquina.



2- Starting hold

9 Exame e conserto de anomalias

Se o motor não pode ser arrancado:

O tanque do combustível ainda contém combustível? → Se não, encha o tanque de combustível.

↓ Sim

O interruptor do gerador está em posição "OPEN" (aberto)? → Se não, ligue o motor.

↓ Sim

Há óleo suficiente no motor? → Se não, abasteça óleo motor.

↓ Sim

Há faíscas fora da vela? → Se não, troque a vela → Se não, envie o gerador para o revendedor autorizado.

Aviso

Certifique-se de que não haja sobressaída de combustível pela vela. O combustível derramado poderia incendiar-se.

Exame:

1. Desmonte a vela, limpe a sujeira ao redor dela.
2. Desmonte a vela, feche-a com a própria tampa.
3. Coloque à terra o pólo lateral na tampa do cilindro ar.
4. Puxando o arrancador, a faísca deve disparar na falha entre os eletrodos.

↓ Sim

Se o motor ainda não pode ser arrancado, envie o gerador para o revendedor autorizado.

Se o motor não pode ser arrancado:

A luz indicadora da corrente na saída liga? → Se não, encha de óleo o tanque do óleo.

↓ Não

A luz indicadora de sobrecarga liga?

↓ Não

Verifique se o equipamento elétrico ou as instalações estiverem falhadas → Se não, envie o gerador para o revendedor autorizado.

Não há corrente contínua na tomada da corrente contínua:

O interruptor de proteção do circuito em corrente contínua está aberto? → Se não, desligue o interruptor de proteção do circuito em corrente contínua.

↓

→→→→→ Se sim, envie o gerador para o revendedor autorizado.

10 Características técnicas

Dimensões e peso

modelo	PMi 2000
comprimento x largura x altura (mm)	555*305*460
peso líquido (kg)	22

Motor

modelo	160F
tipo do motor	4 tempos, válvula ar na cabeça, um cilindro
quantidade de descarga (diâmetro x curso)	60 x40mm
razão de compressão	8.8:1
velocidade de rotação	3900 rpm (o acelerógrafo inteligente fecha)
sistema de arrefecimento	ar frio forçado
sistema de ignição	transistor
capacidade do tanque do óleo	0,4L
capacidade do tanque do combustível	6,3L
vela de ignição	A5RC
nível de ruído (ISO8528-10)	64db/7m
cilindrada	113cc

Gerador

frequência	50		60
tensão nominal (V)	230	120	240
corrente nominal (A)	7,4	14,2	7,08
potência de saída nominal (KVA)		1700w	
potência máxima de saída (KVA)		2000w	
saída em corrente contínua		12V 6A	
instalação elétrica circuito aberto	sim		
nível de ruído (sem carga - carga plena) / 7m		68 db/7m	



Informações para o consumidor

Consumer information

PR INDUSTRIAL s.r.l
 Loc. Il Piano
 53031 Casole d'Elsa
 Siena – Itália
 Web: www.pramac.com

